



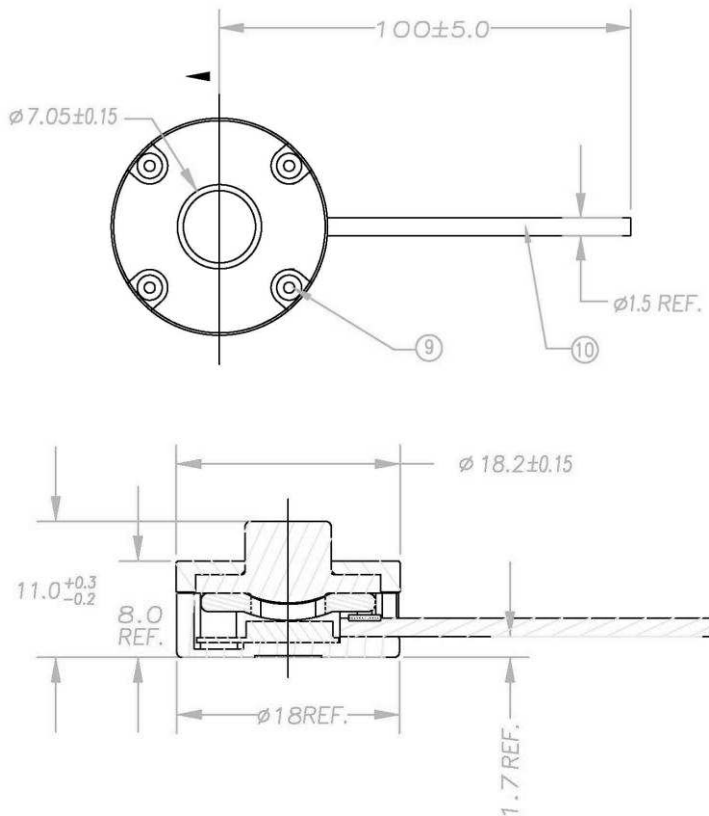
CONTACT MICROPHONE CM-01B

SPECIFICATIONS

- High Sensitivity
- Robust
- Low Noise
- Piezo Film Technology
- Shielded Cable

The **CM-01B Contact Microphone** uses sensitive but robust PVDF piezo film combined with a low-noise electronic preamplifier to provide a unique sound or vibration pick-up with buffered output. The design minimizes external acoustic noise while offering extremely high sensitivity to vibration applied to the central rubber pad. The CM-01B is ideal for detecting body sounds.

DIMENSIONS



FEATURES

- Broad Bandwidth
- High Sensitivity
- Excellent Impact Resistance
- Lightweight
- Low Cost

APPLICATIONS

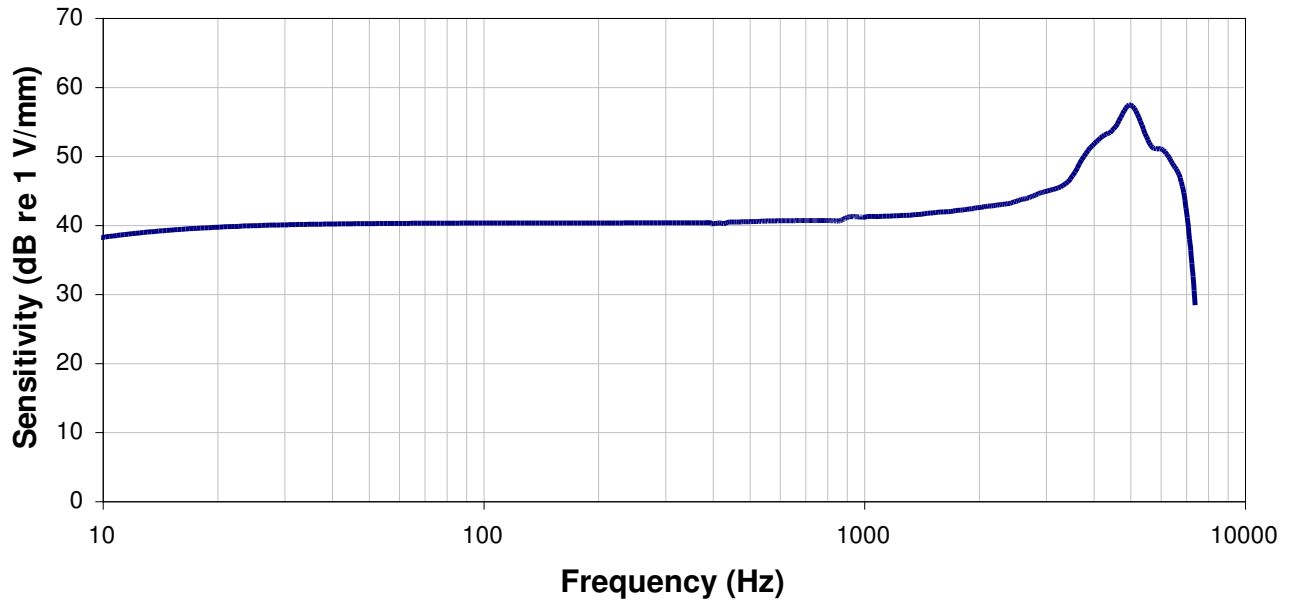
- Electronic Stethoscope
- Bone-conducted Sound Pickup
- General Purpose Contact Microphone
- Vibration/Impact Sensing

PERFORMANCE SPECIFICATIONS

CHARACTERISTICS	Min	Typ	Max	Units
Sensitivity		40		V/mm
Lower Limiting Frequency (-3 dB)		8		Hz
Upper Limiting Frequency (+3 dB)		2.2		kHz
Resonance Frequency		5		kHz
Spring Constant		20		N/m
Electronic Noise		1		mV _{pk-pk}
Supply Voltage	4	5	30	V-DC
Supply Current		0.1		mA
Operating Temperature	+5		+60	°C
Storage Temperature	-20		+85	°C

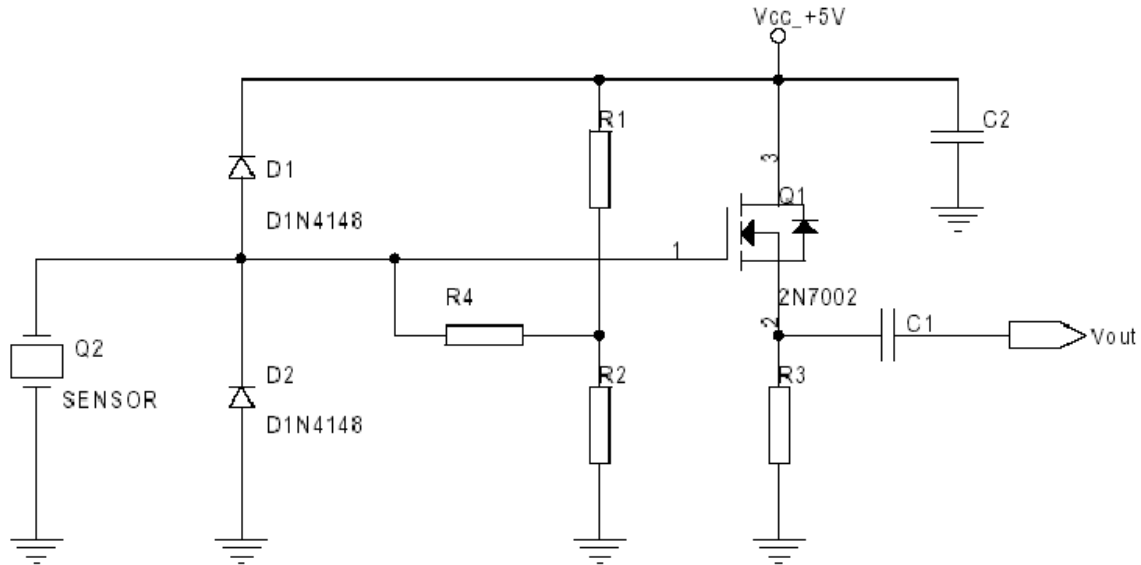
TYPICAL FREQUENCY RESPONSE

Typical Frequency Response



The above plot shows a typical frequency response curve for a device clamped below and subjected to piston-like displacement to the face of the rubber sensing pad.

INTERNAL SCHEMATIC



Shield (braid): GND
 Red wire: Vcc, +5 V
 Yellow wire: Vout
 R4 = 100 MΩ

C1 = C2 = 0.1 μF
 R1 = R2 = 300 KΩ
 R3 = 10 KΩ

ORDERING INFORMATION

Model No.	Part No.
CM-01B	1007079-1

NORTH AMERICA

Measurement Specialties, Inc.,
 a TE Connectivity Company
 1000 Lucas Way
 Hampton, VA 23666
 Sales and Customer Service
 Tel: +1-800-745-8008 or
 +1-757-766-1500
 Fax: +1-757-766-4297
 Technical Support
 Email: piezo@meas-spec.com

EUROPE

MEAS Deutschland GmbH
 a TE Connectivity Company
 Hauert 13
 44227 Dortmund
 Germany
 Sales and Customer Service
 Tel: +49 (0)231 9740 21
 Technical Support
 Tel: +49 (0)6074 862822
 Email: piezoeurope@meas-spec.com

ASIA

Measurement Specialties (China), Ltd.,
 a TE Connectivity Company
 F1.6-4D, Tian An Development Compound
 ShenZhen, China 518048
 Sales and Customer Service
 Tel: +86 755 8330 1004
 Technical Support
 Email: piezo@meas-spec.com

TE.com/sensorsolutions

Measurement Specialties, Inc., a TE Connectivity company.

Measurement Specialties, TE Connectivity, TE Connectivity (logo) and EVERY CONNECTION COUNTS are trademarks. All other logos, products and/or company names referred to herein might be trademarks of their respective owners.

The information given herein, including drawings, illustrations and schematics which are intended for illustration purposes only, is believed to be reliable. However, TE Connectivity makes no warranties as to its accuracy or completeness and disclaims any liability in connection with its use. TE Connectivity's obligations shall only be as set forth in TE Connectivity's Standard Terms and Conditions of Sale for this product and in no case will TE Connectivity be liable for any incidental, indirect or consequential damages arising out of the sale, resale, use or misuse of the product. Users of TE Connectivity products should make their own evaluation to determine the suitability of each such product for the specific application.

© 2015 TE Connectivity Ltd. family of companies All Rights Reserved.

DEALER / REVENDEDOR

Brazil and South America / Brasil e América do Sul



Address / Endereço:

Rua Sete de Setembro, 2656
13560-181 - São Carlos - SP
Brazil / Brasil

Phone / Telefone:

+55 (16) 3371-0112
+55 (16) 3372-7800

Internet:

www.metrolog.net
metrolog@metrolog.net

www.metrolog.net