

Selector switch SK101



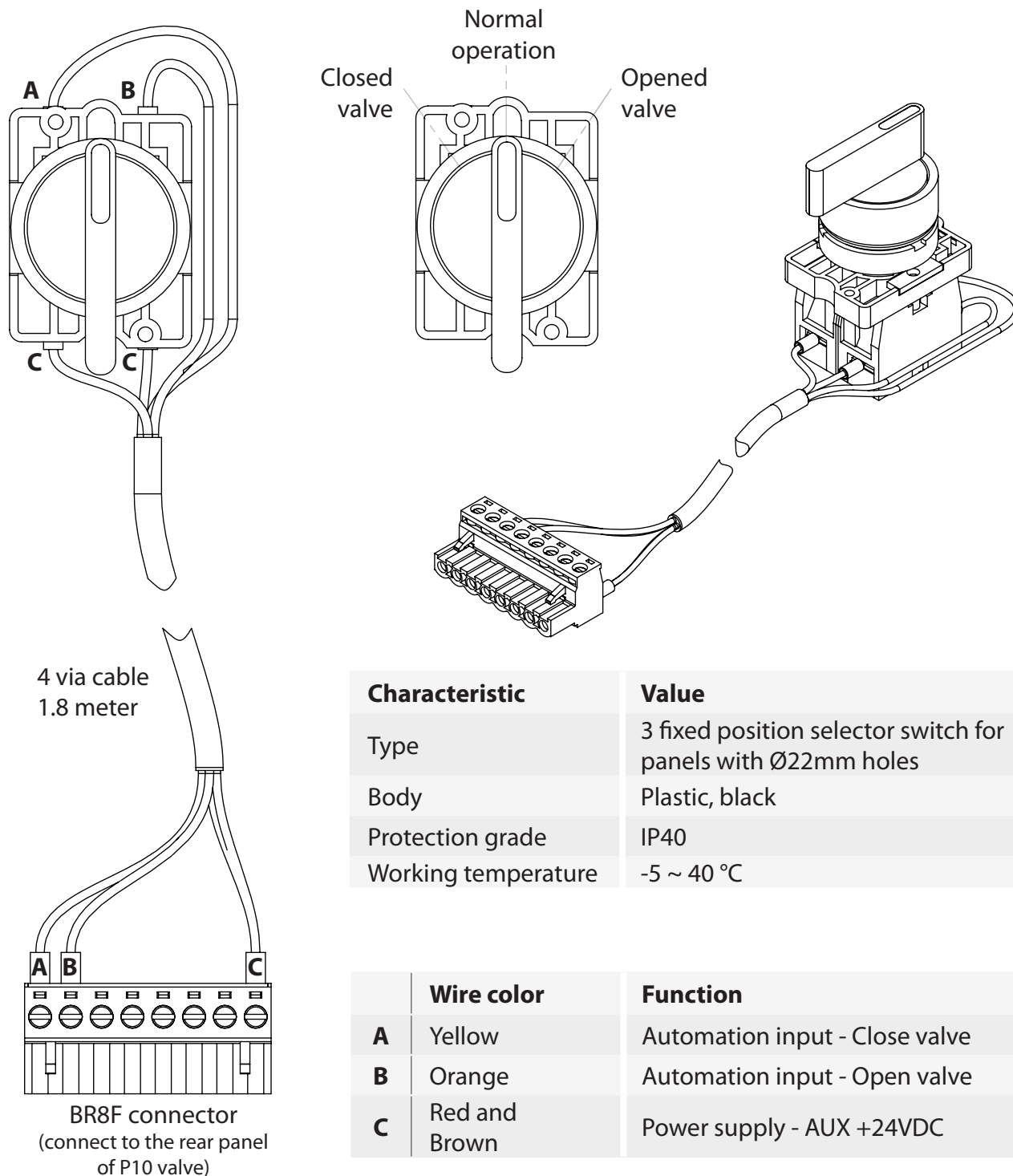
Compatibility

Metrolog P10 Series smart pneumatic valve

Order code: SK101

Additional documentation: www.metrolog.net/p10

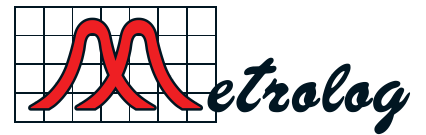
Specification



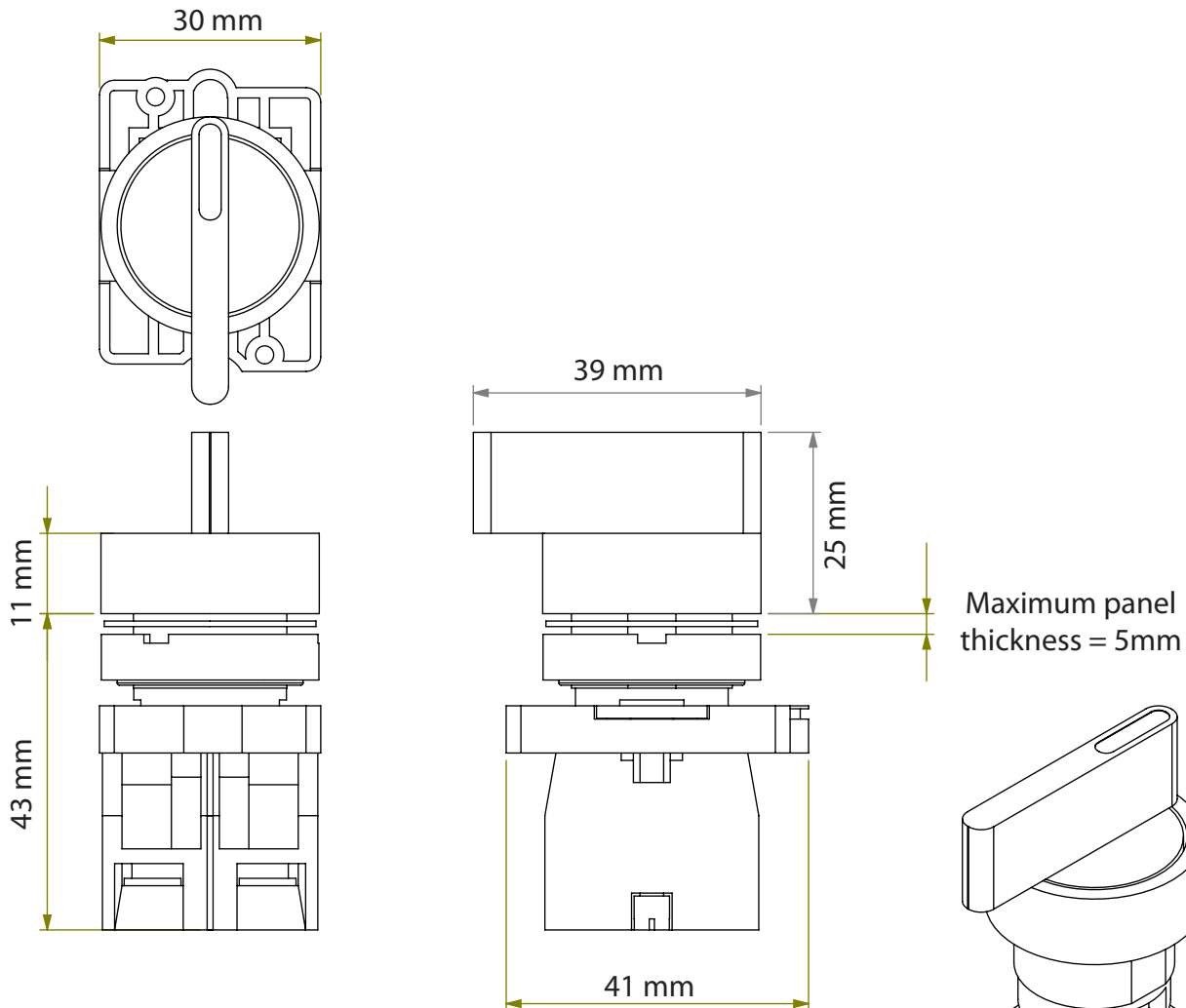
Characteristic	Value
Type	3 fixed position selector switch for panels with Ø22mm holes
Body	Plastic, black
Protection grade	IP40
Working temperature	-5 ~ 40 °C

	Wire color	Function
A	Yellow	Automation input - Close valve
B	Orange	Automation input - Open valve
C	Red and Brown	Power supply - AUX +24VDC

Selector switch SK101



Dimensions



Disassembly

1. Remove underneath screws
2. Gently apply lever in the indicated position using a screwdriver

