

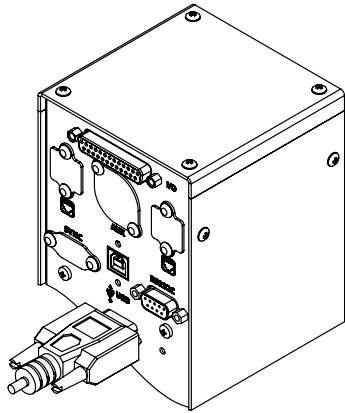
Remote access control for calibration, zero referencing, program selection and general setup functions on Metrolog M20 Series measurement columns

Ideal for controlling access to equipment functions and reducing maintenance downtime

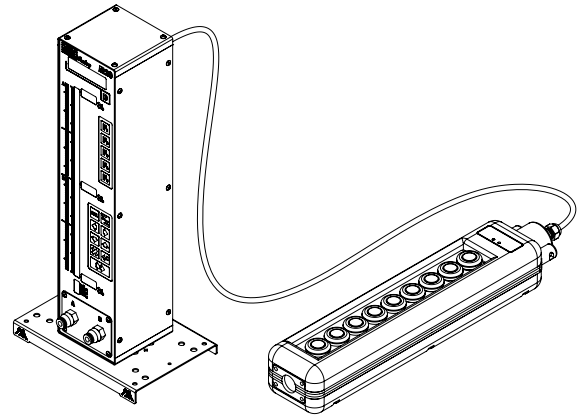
- Compatible with all Metrolog M20 Series measurement columns
- Easy installation
- Luminous indication of command transmission
- Individually programmable push-buttons lock
- Integrated 3 meter cable
- Support ring for suspended installation
- Conforms to NR-12 and ANSI B11.19 safety standards
- IP65 protection grade



Installation

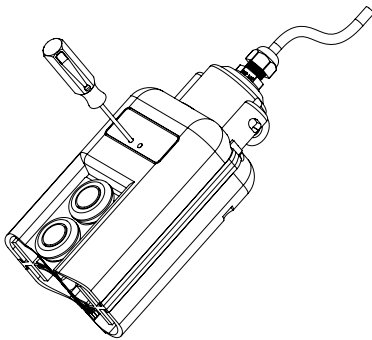


Connect the CE21 pushbutton switch to the M20 column, using the RS232C rear connector



The pendant control may be used on the bench or suspended with the aid of its support ring

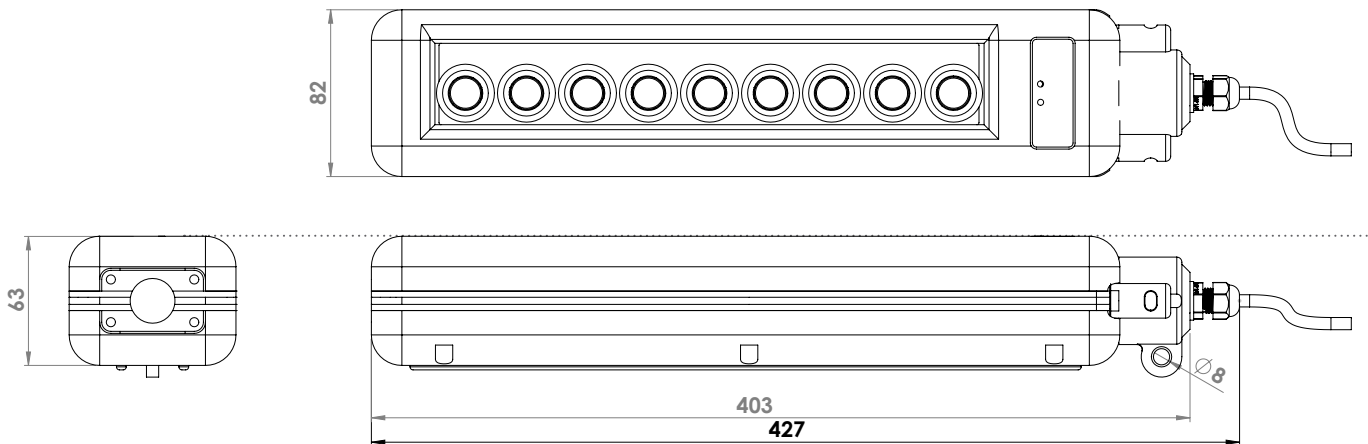
Button Lock Programming



Press the **PROG** button with a small screwdriver or clips, and then press the desired button:

PROG + button	3x LED Status green = button with function UNLOCKED 3x LED Status red = Button with LOCKED function
PROG (for 15s)	3x Status LED yellow = Reset to factory settings (all buttons active)

Dimensions



Note: CE21 pendant control station uses the equipment's RS232 communication interface.
If the USB interface is in use, the operation will be suspended until the USB cable is disconnected.
Typical consumption of 10mW during operation.

Technical specifications are subject to change without prior notice. Photos, diagrams and applications are merely illustrative.
<http://www.metrolog.net/ce21>