

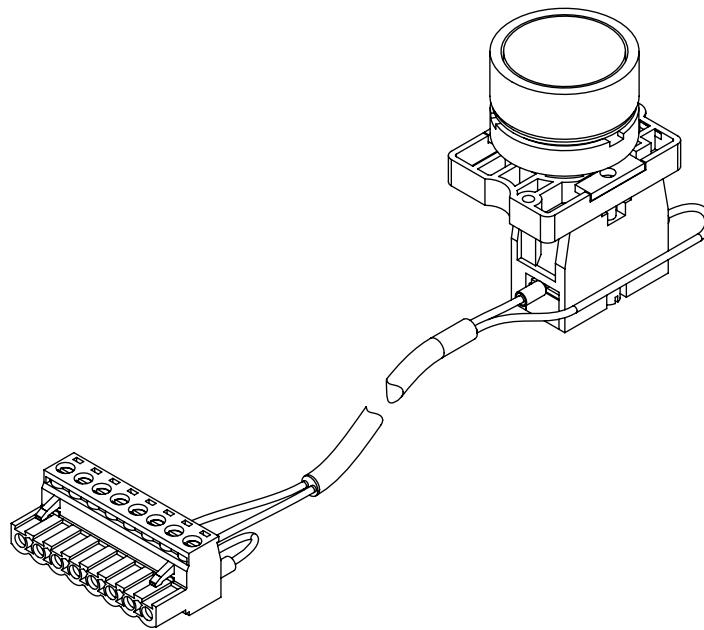
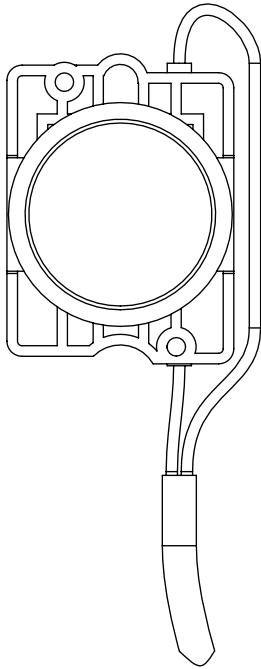
Compatibility

Metrolog P10 Series smart pneumatic valve

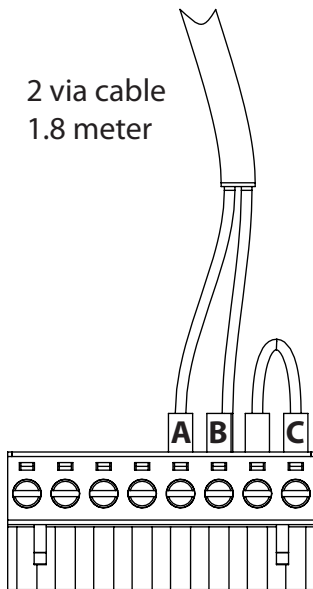
Order code: **PB101**

Additional documentation: www.metrolog.net/p10

Specification



2 via cable
1.8 meter

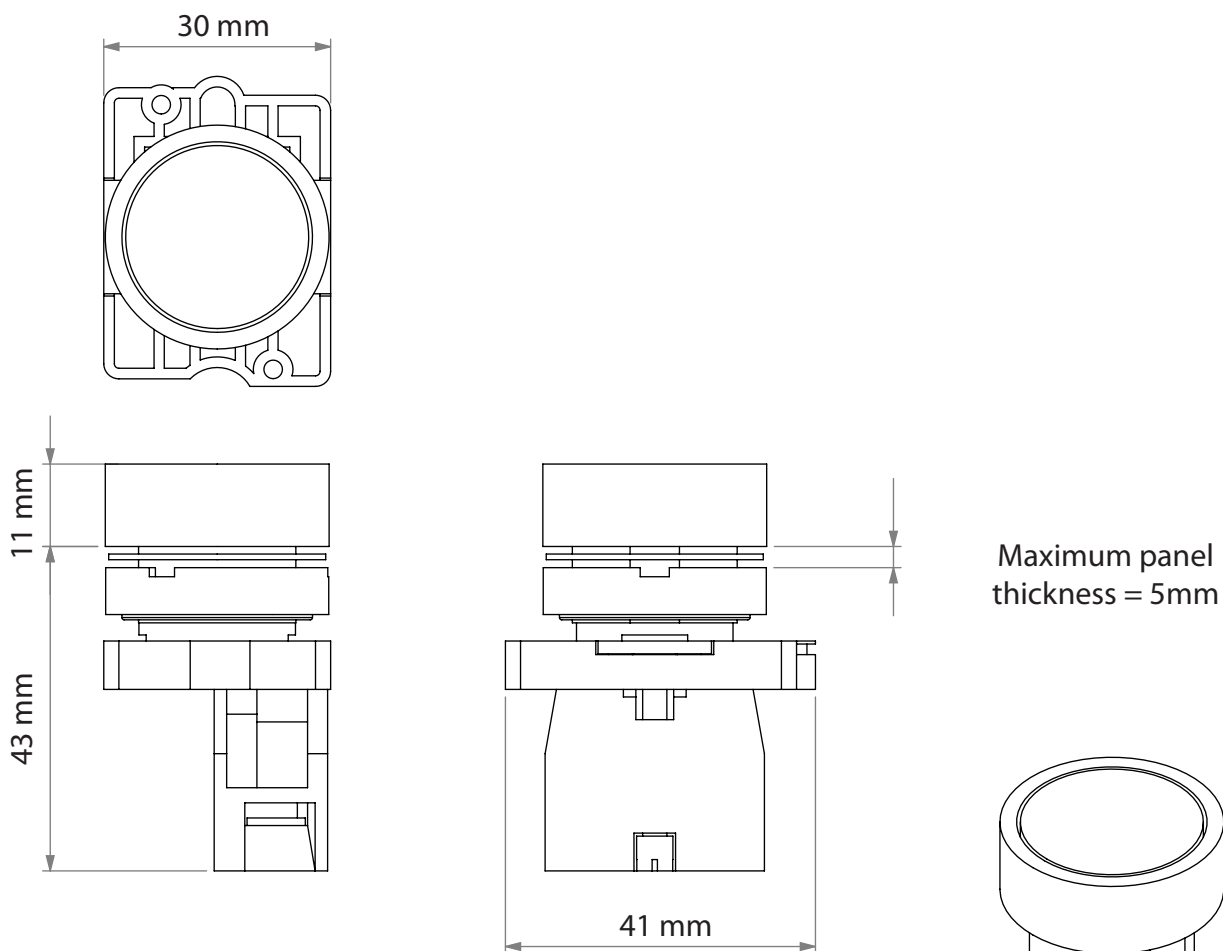


BR8F connector
(connect to the rear panel
of P10 valve)

Characteristic	Value
Type	Push button switch for panels with Ø22mm hole, normally open
Body	Plastic, black
Protection grade	IP40
Working temperature	-5 ~ 40 °C

	Wire color	Function
A	White	Power supply - COMMON (-)
B	Red	Sensor input - Signal (C)
C	White (Jumper)	Power supply - AUX +24VDC Sensor input - Signal (A)

Dimensions



Disassembly

1. Remove underneath screw
2. Gently apply lever in the indicated position using a screwdriver

