



AWP 904 Series Draw Wire Sensors: Wire actuated potentiometer

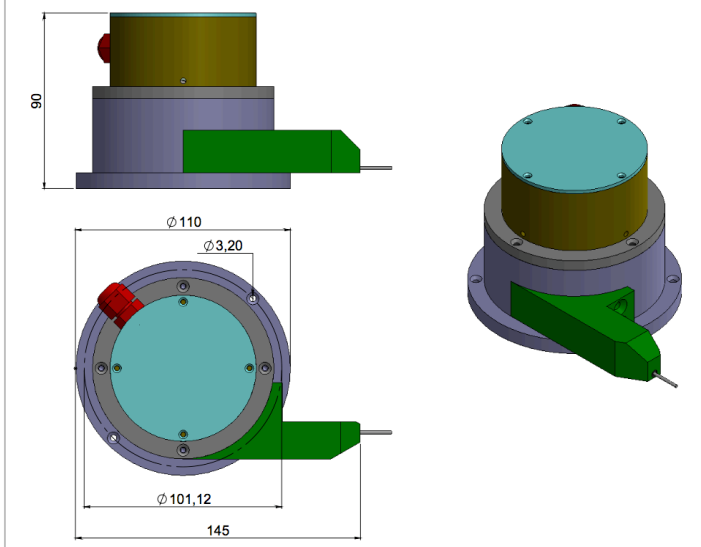
- Measurement length from 1000 mm up to 3700 mm
- Redundant output option
- Compact design
- High strength stainless steel wire
- 0,5 m/s maximum speed
- IP67 Protection class
- Shock/Vibration resistant
- 3 meters cable
- Aluminium anodized body

AWP904 series draw wire sensors are cable actuated position transducers which convert linear movement to potentiometric output. AWP904 wire transducers are conveniently used in outdoor environments with IP67 protection class or optional IP68.

There is also redundant output option which means two different outputs on one single device.

There are different stroke lengths up to 3700 mm, used in many different applications such as crane systems, wood and marble machines, factory automation, medical devices, robotics and main industrial machinery.

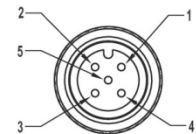
MECHANICAL DIMENSIONS



TECHNICAL SPECIFICATIONS

Power Supply	Potentiometric : +5...42 V _{DC} 4..20mA, 0..10V: +24 V _{DC} CANopen : +10...30 V _{DC}
Stroke Length	1000 , 2000 , 3000 , 3700 mm (Please contact us for other lengths)
Maximum Speed	0,5 m/s
Resistance	5K Ω or optional 10K Ω
Output	Potentiometric, 4..20mA, 0..10V _{DC} or CANopen Redundant output option
Linearity	$\pm 0,25$ % FS
Protection Class	IP67
Operating Temperature	- 40°C to +85°C
Relative Humidity	%10 to %90
Weight	< 3200 grams
Electrical Connection	M12 Socket or standard 3 meters cable (Please contact us for other options)

Signal	M12 Socket	Cable
NC	Pin 1	Shield
+ Power Supply	Pin 2	Red
0 V	Pin 3	Black
Signal Output	Pin 4	Yellow
NC	Pin 5	Green



PRODUCT CODING

Model

AWP 904

AWP904

XXX

Stroke Length

1000 : 1000 mm
2000 : 2000 mm
3000 : 3000 mm
3700 : 3700 mm

(Other lengths on request)

Resistance

5K : 5K Ω
(Other options on request)

5K

3M

Cable Length

S12 : M12 Socket
3M : 3 meters (standard)
5M : 5 meters
10M : 10 meters

Output Signals

No Code : Potentiometric
V : 0-10 V_{DC} Analog Voltage
A : 4-20 mA Analog Current
C : CANopen (CiA DS406)