



AWP-810

AWP-820

CAN OPEN

DRAW WIRE SENSORS



OPERATION MANUAL

CONTENTS

1. TECHNICAL SPECIFICATIONS	2
2. CONNECTIONS	3
2.1. ELECTRICAL CONNECTIONS	3
2.2. MOUNTING	3
3. INTERFACE CONFIGURATION	4
3.1. CONFIGURATION WITH DIP SWITCH	4
3.2. CONFIGURATION WITH LSS.....	6
3.3. CONFIGURATION WITH SDO.....	8
4. OBJECT DICTIONARY.....	9
4.1. MANUFACTURER SPECIFIC OBJECTS	9
4.2. STANDARDIZED DEVICE PROFILE.....	11
4.3. COMMUNICATION PROFILE AREA.....	12
4.4. MANUFACTURER SPECIFIC EMERGENCY OBJECTS.....	14

1. TECHNICAL SPECIFICATIONS

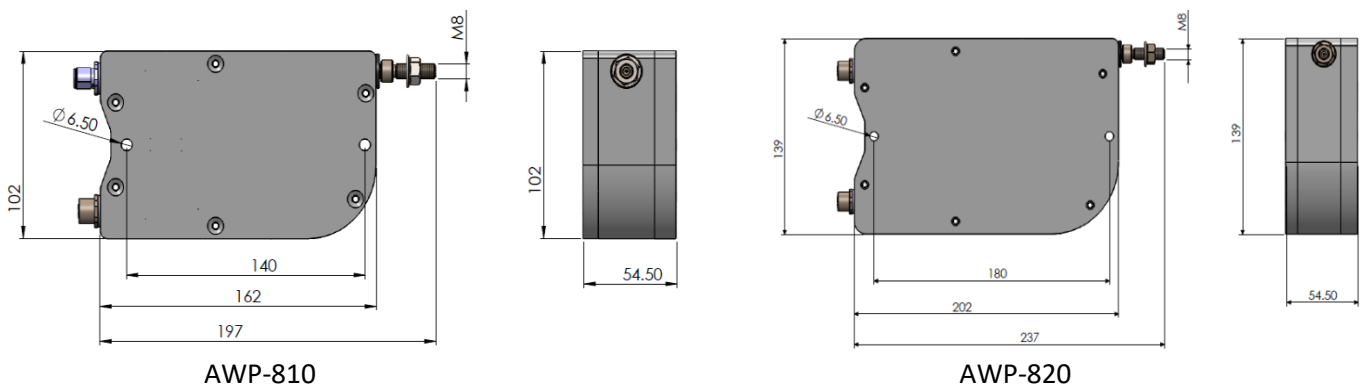
GENERAL SPECIFICATIONS

Measuring Range	AWP 810: Different measuring lengths from 2000 mm to 5100 mm AWP 820: Different measuring lengths from 6000 mm to 8000 mm		
Power Supply	10...30 VDC		
Supply Current	Maximum 50 mA		
Linearity	± %0,25 FS.		
Resolution	23 Bit		
Repeatability	± %0,1 FS.		
Working temperature	-40...+85 °C		
Response Frequency	125 Hz.		
Electrical Connection	M12 5 pin male & M12 5 pin female socket or direct cable output		
Protection Class	IP 65		
Body / Weight	Aluminium	810 : 2200 gram	820 : 3200 gram.

CANopen SPECIFICATIONS

Communication profile	CiA 301
Type of device	CANopen, CiA DS406
Node ID	Dip Switch between 1 and 127, it can be adjusted with LSS or SDO
Baud Rate	10 kBit/s, 20 kBit/s, 50 kBit/s, 100 kBit/s, 125 kBit/s, 250 kBit/s, 500 kBit/s, 800 kBit/s, 1 Mbit/s
PDO Data Rate	500 ms
Error Control	Heartbeat, Emergency Message
PDO	2 Tx PDO
PDO Modes	Event/Time triggered, Synch/Asynch
SDO	1 server
Position Information	Object Dictionary 6004
Termination Resistance	Optional, specify at the order stage.

DIMENSIONS



PRODUCT CODES

Model

AWP 810
AWP 820

Resistance

5K: 5 K Ω (standard)
10K: 10 K Ω

Output Signal

C : Can Open (CiA DS406)

AWP 8X0

XXX

X

XX

X

XX

Stroke Length

Different measuring lengths from 6000 mm to 8000 mm (AWP 820) and from 2000 mm to 5100 mm (AWP 810)

Electrical Connection

3M : 3 m cable
5M : 5 m cable
10M : 10 m cable
S13F : M12 5 pin female socket
S13M : M12 5 pin male socket
S13FM: M12 5 pin female + M12 5 pin male socket (standard)

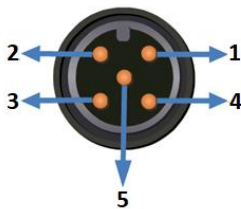
Output Type

No Code: Single output
DUAL: Redundant output

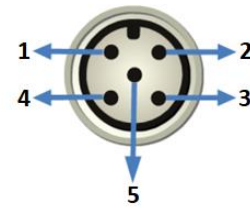
2. CONNECTIONS

2.1 Electrical Connections

M12-5 PIN MALE SOCKET

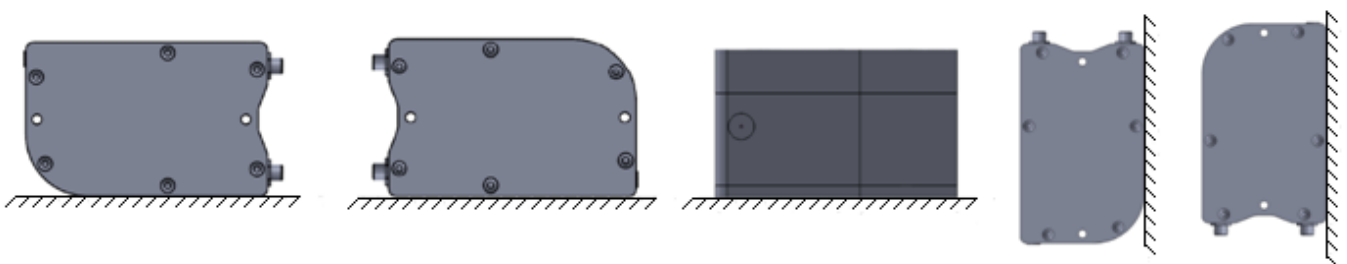


M12-5 PIN FEMALE SOCKET



Connection Point	M12 Socket	Cable
CAN_SHIELD	Pin 1	Shielded
U+ (10..30V)	Pin 2	Red
GND (0V)	Pin 3	Black
CAN_H	Pin 4	Yellow
CAN_L	Pin 5	Green

2.2 Mounting



CORRECT

FALSE

FALSE

CORRECT

FALSE

ATTENTION !

AFTER THE WIRE, ABSOLUTELY DO NOT RELEASE.
OTHERWISE THE SPRING IS EMPTY AND DEVICES
OUT OF WARRANTY.

3. INTERFACE CONFIGURATION

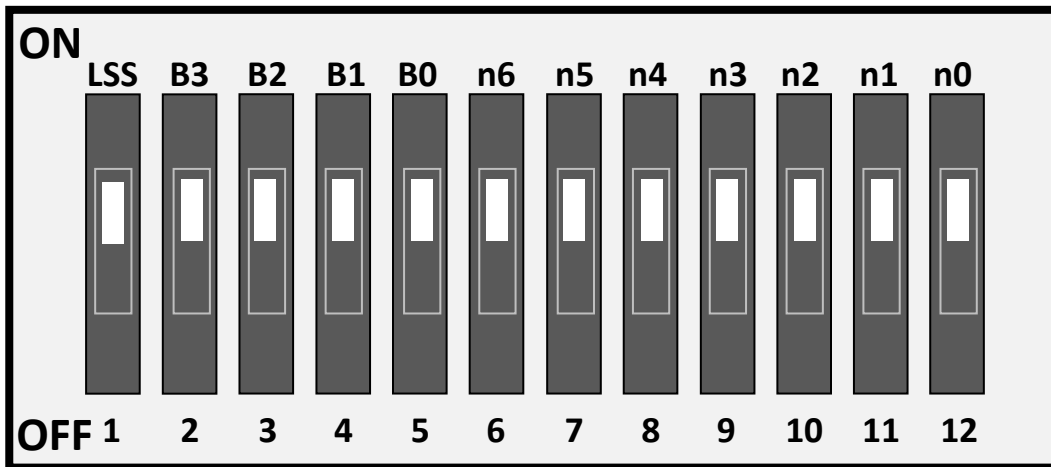
If not specified in the order LSS (ON) is located. Node ID: 1 set. Baud Rate: 250 kBit/s. NODE ID and Baud Rate can be not selected by Dip Switch.

Type	Slave
Node ID	1
Bit Rate	250 kBit/s

NODE ID and Baud Rate can be adjusted with third way.

1. Adjustable with Dip Switch.
2. Adjustable with LSS protocol.
3. Adjustable with SDO protocol.

3.1 Configuration with Dip Switch



LSS: Layer Setting Services (Only Standard LSS used, LSS Fast Scan not used). Feature of LSS turn on/ off While LSS turn off, the selection NOD ID is made by n6-n0 switches, the selection Baud Rate is made by B3-B0 switches.

B3 – B0: Baud Rate switches. Set Baud Rate. (LSS switch should be turn off.)

n6 – n0: Node ID switches. (LSS switch should be turn off.)

B3	B2	B1	B0	
0	0	0	0	10 kBit/s
0	0	0	1	20 kBit/s
0	0	1	0	50 kBit/s
0	0	1	1	100 kBit/s
0	1	0	0	125 kBit/s
0	1	0	1	250 kBit/s
0	1	1	0	500 kBit/s
0	1	1	1	800 kBit/s
1	X	x	x	1 Mbit/s

Table 1. The baud rate table according to switched position (LSS switch should be turn off position.)

Note: There is no matter x of the cells marked with a value of 1 or 0.

n6	n5	n4	n3	n2	n1	n0	Node ID
0	0	0	0	0	0	x	1
0	0	0	0	0	1	0	2
0	0	0	0	0	1	1	3
0	0	0	0	1	0	0	4
0	0	0	0	1	0	1	5
0	0	0	0	1	1	0	6
0	0	0	0	1	1	1	7
0	0	0	1	0	0	0	8
0	0	0	1	0	0	1	9
⋮	⋮	⋮	⋮	⋮	⋮	⋮	⋮
1	1	1	1	1	1	0	126
1	1	1	1	1	1	1	127

Table 2. Node ID Table (LSS switch should be turn off position.)

Not: There is no matter x of the cells marked with a value of 1 or 0.

3.2 Configuration with LSS

While using LSS protocol to adjust the Node ID and Baud Rate;

- Only master device and LSS Slave device which adjustments required must be connected on the Can communication line.
- LSS Slave device's Baud Rate should be known in advance.(If the device for the first time Setting the baud rate of 250kbit / s is selected.)
- The Baud Rate of LSS Master device and LSS Slave device should be the same.
- Example of LSS Protocol routines located on xxx tables.

Baud rate value choices from the following table.

Baud Rate	10 kBit/s	20 kBit/s	50 kBit/s	100 kBit/s	125 kBit/s	250 kBit/s	500 kBit/s	800 kBit/s	1 Mbit/s
Parameter Value	8	7	6	5	4	3	2	1	0

Attention: The settings made are recorded by itself. The new settings are not enabled **until** the device is restarted.

Message Type	Detail	COB-ID	Data (Hex)
Lss Master Request	Switch Mode Global-Configuration Mode	0x7E5	04 01 00 00 00 00 00 00
Lss Master Request	Inquire Identity – Vendor ID	0x7E5	5A 00 00 00 00 00 00 00
Lss Slave Response	Inquire Identity – Vendor ID : 0x00000000	0x7E4	5A 00 00 00 00 00 00 00
Lss Master Request	Inquire Identity – Product Code	0x7E5	5B 00 00 00 00 00 00 00
Lss Slave Response	Inquire Identity – Product Code : 0x00000000	0x7E4	5B 00 00 00 00 00 00 00
Lss Master Request	Inquire Identity – Revision Nr.	0x7E5	5C 00 00 00 00 00 00 00
Lss Slave Response	Inquire Identity – Revision Nr. : 0x00000000	0x7E4	5C 00 00 00 00 00 00 00
Lss Master Request	Inquire Identity – Serial Nr.	0x7E5	5D 00 00 00 00 00 00 00
Lss Slave Response	Inquire Identity – Serial Nr. : 0x00000000	0x7E4	5D 00 00 00 00 00 00 00
Lss Master Request	Inquire Node ID	0x7E5	5E 00 00 00 00 00 00 00
Lss Slave Response	Inquire Node ID – NID : 0x01	0x7E4	5E 01 00 00 00 00 00 00
Lss Master Request	Switch Mode Global-Operation Mode	0x7E5	04 00 00 00 00 00 00 00

Tablo 3. LSS with automatic detection with LSS

Message Type	Detail	COB-ID	Data (Hex)
Lss Master Request	Switch Mode Selective – Vendor ID : 0x00000000	0x7E5	40 00 00 00 00 00 00 00
Lss Master Request	Switch Mode Selective – Product Code : 0x00000000	0x7E5	41 00 00 00 00 00 00 00
Lss Master Request	Switch Mode Selective – Revision Nr. :0x00000000	0x7E5	42 00 00 00 00 00 00 00
Lss Master Request	Switch Mode Selective – Serial Nr. : 0x00000000	0x7E5	43 00 00 00 00 00 00 00
Lss Slave Response	Switch Mode Selective Response	0x7E4	44 00 00 00 00 00 00 00
Lss Master Request	Configure Bit Timing Parameters – Table Selector : 0 , Table Index : 4	0x7E5	13 00 04 00 00 00 00 00
Lss Slave Response	Configure Bit Timing Parameters – Success	0x7E4	13 00 00 00 00 00 00 00
Lss Master Request	Switch Mode Global-Operation Mode	0x7E5	04 00 00 00 00 00 00 00
Lss Master Request	Switch Mode Global-Configuration Mode	0x7E5	04 01 00 00 00 00 00 00
Lss Master Request	Activate Bit Timing Parameters – Switch Delay: 100ms	0x7E5	15 64 00 00 00 00 00 00
Lss Master Request	Switch Mode Global-Operation Mode	0x7E5	04 00 00 00 00 00 00 00
Lss Master Request	Switch Mode Selective – Vendor ID : 0x00000000	0x7E5	40 00 00 00 00 00 00 00
Lss Master Request	Switch Mode Selective – Product Code : 0x00000000	0x7E5	41 00 00 00 00 00 00 00
Lss Master Request	Switch Mode Selective – Revision Nr. : 0x00000000	0x7E5	42 00 00 00 00 00 00 00
Lss Master Request	Switch Mode Selective – Serial Nr.: 0x00000000	0x7E5	43 00 00 00 00 00 00 00
Lss Slave Response	Switch Mode Selective Response	0x7E4	44 00 00 00 00 00 00 00
Lss Master Request	Configure Node ID – NID : 0x02	0x7E5	11 02 00 00 00 00 00 00
Lss Slave Response	Configure Node ID - Success	0x7E4	11 00 00 00 00 00 00 00
Lss Master Request	Store Configuration	0x7E5	17 00 00 00 00 00 00 00
Lss Slave Response	Store Configuration - Success	0x7E4	17 00 00 00 00 00 00 00
Lss Master Request	Switch Mode Global-Operation Mode	0x7E5	04 00 00 00 00 00 00 00
Reset	Reset All Nodes	0x000	81 00

Table 4. Setting and recording the Baud Rate and NODE with ID and LSS

3.3 Configuration With SDO

While using SDO protocol to adjust the Node ID and Baud Rate;

- Baud Rate and Node of device which will be adjustable should be known in advance. (If the device for the first time Setting the baud rate of 250kbit / s and Node ID'si 1 are selected.)
- All devices in the network,Baud Rate settings must be same but Node ID values should be different..

NODE ID setting: NODE ID parameter, Object Dictionary index :3001

sub index:0 located. If NODE ID demand to change, the NODE ID value should be written as a follows. (In the following example, the NODE ID is changed from 1 to 5.)

Mesaj Tipi	Node	COB-ID	Data (Hex)
SDO Download Request	0x01	0x601 (0x600 + Node Id)	2F 01 30 00 Node ID 00 00 00
SDO Download Response	0x01	0x581 (0x580 + Node Id)	60 01 30 00 00 00 00 00

Tablo 5. Setting and Saving of SDO and NOD ID

Baud Rate ayarı: Baud Rate parametresi, Object Dictionary index :3000

Sub index : 0'da yer almaktadır.

The baud rate value is selected from the following table.

Baud Rate	10 kBit/s	20 kBit/s	50 kBit/s	100 kBit/s	125 kBit/s	250 kBit/s	500 kBit/s	800 kBit/s	1 Mbit/s
Parametre Değeri	8	7	6	5	4	3	2	1	0

The baud rate 100kbit / sec is set in the following example.

Mesaj Tipi	Node	COB-ID	Data (Hex)
SDO Download Request	0x01	0x601 (0x600 + Node Id)	2F 00 30 00 Node ID 00 00 00
SDO Download Response	0x01	0x581 (0x581 + Node Id)	60 00 30 00 00 00 00 00

Tablo 5. Setting the communication speed and store with SDO

Attention: The settings made are recorded by itself. The new settings are not enabled **until** the device is restarted.

4. OBJECT DICTIONARY

4.1 Manufacturer Specific Objects

Length Sensor Value

Index	Sub Index	Name	Type	Value	Access	Save	Comment
0x2000	0x00	Number of Entries	Unsigned 8	2	Read Only	No	
	0x01	Length Sensor Value 1	Integer 16	0	Read Only	No	Altteki açıklamaya bkz.
	0x02	Length Sensor Value 2	Integer 16	0	Read Only	No	Altteki açıklamaya bkz.

Output Resolution

Index	Sub Index	Name	Type	Value	Access	Save	Comment
0x2100	0x00	Number of Entries	Unsigned 8	2	Read Only	No	
	0x01	Output Resolution 1	Integer 16	0	Read/Write	Yes	100=0.1mm, 1000=1mm
	0x02	Output Resolution 2	Integer 16	0	Read/Write	Yes	100=0.1mm, 1000=1mm

Length Output Value

Index	Sub Index	Name	Type	Value	Access	Save	Comment
0x2110	0x00	Number of Entries	Unsigned 8	2	Read Only	No	
	0x01	Length Output Value 1	Integer 16	0	Read Only	No	Sensör 1 çıkış değeri / Output Resolution 1
	0x02	Length Output Value 2	Integer 16	0	Read Only	No	Sensör 2 çıkış değeri / Output Resolution 2

Raw Position Value

Index	Sub Index	Name	Type	Value	Access	Save	Comment
0x2200	0x00	Number of Entries	Unsigned 8	2	Read Only	No	
	0x01	Raw Position Value 1	Integer 32		Read Only	No	Altteki açıklamaya bkz.
	0x02	Raw Position Value 2	Integer 32		Read Only	No	Altteki açıklamaya bkz.

Emergency Buffer Distance

Index	Sub Index	Name	Type	Value	Access	Save	Comment
0x2500	0x00	Number of Entries	Unsigned 8	2	Read Only	No	
	0x01	Emergency Buffer Distance 1	Integer 32	0	Read/Write	Yes	Altteki açıklamaya bkz.
	0x02	Emergency Buffer Distance 2	Integer 32	0	Read/Write	Yes	Altteki açıklamaya bkz.

Enable Sensor Emergency

Index	Sub Index	Name	Type	Value	Access	Save	Comment
0x2501	0x00	Enable Sensor Emergency	Unsigned 8	0	Read/Write	Yes	

Calibration

Index	Sub Index	Name	Type	Value	Access	Save	Comment
0x2510	0x00	Number of Entries	Unsigned 8	2	Read Only	No	
	0x01	Minimum Value	Unsigned 8	0	Write Only	No	Kalibrasyon için 1 yazılmalıdır.
	0x02	Maximum Value	Unsigned 8	0	Write Only	No	Kalibrasyon için 1 yazılmalıdır.

Baud Rate Setting

Index	Sub Index	Name	Type	Value	Access	Save	Comment
0x3000	0x00	Baud Rate Setting	Unsigned 8	7	Read/Write	Yes	

NODE ID Setting

Index	Sub Index	Name	Type	Value	Access	Save	Comment
0x3001	0x00	NODE ID Setting	Unsigned 8	1	Read/Write	Yes	

Açıklamalar:

Raw Position Value: 23-bit raw digital value of Sensor-to-read analog value.

Emergency Buffer Distance: Determines how much out of calibrated area in the micro meter. If this value is exceeded the sensor gives the message "Emergency". (See 4.4 Manufacturer Specific Emergency Objects)

Enable Sensor Emergency: When the content of 1 the messages active at the Section 4.4. When the content of 0 the messages passive.

Output Prescaler: The giving sensor output values at index 6020 in micrometers. Index 6020 and 2110 values are divided by the entered values of output Prescaler. Örneğin; 1000 is entered, micrometer convert to millimeter.

Calibration: The sensor is normally factory calibrated. If necessary to calibrate the sensor, the sensor is taken to lower point. Enter 1 at minimum value. The sensor is taken to upper point. Enter 1 at maximum value. (Before and after of calibration should be wait 3 seconds.)

Length Sensor Value: Length Sensor Value 1, the giving length of sensor in 0,1mm.

Length Sensor Value 2, the giving length of sensor in 0,1mm (stroke – measured value).

Length Output Value: Sensor output value is in micrometer. Length Output Value 1, it gives the value of output value divided by resolution. Length Output Value 2, (strok – output value) gives the value of divided by resolution.

4.2 Standardized Device Profile

Operating Parameters

Index	Sub Index	Name	Type	Value	Access	Save	Comment
0x6000	0x00	Operating Parameters	Unsigned 16	0	Read/Write	No	

Total Measuring Range in Measuring Unit

Index	Sub Index	Name	Type	Value	Access	Save	Comment
0x6002	0x00	Total Measuring Range in Measuring Unit	Unsigned 32	5000000	Read/Write	Yes	Sensör Strok Değeri (mikro metre)

Position Value

Index	Sub Index	Name	Type	Value	Access	Save	Comment
0x6004	0x00	Position Value	Unsigned 32		Read Only	No	İki Sensörün ortalama çıkış değeri. (mikro metre)

Position Value for Multi-Sensor Device

Index	Sub Index	Name	Type	Value	Access	Save	Comment
0x6020	0x00	Number of Entries	Unsigned 8	2	Read Only	No	
	0x01	Position Value Ch. 1	Integer 32		Read Only	No	Sensör 1 çıkış değeri / Output Resolution 1
	0x02	Position Value Ch. 2	Integer 32		Read Only	No	Sensör 2 çıkış değeri / Output Resolution 2

Area State Register

Index	Sub Index	Name	Type	Value	Access	Save	Comment
0x6400	0x00	Number of Entries	Unsigned 8	2	Read Only	No	
	0x01	Work Area State Ch. 1	Unsigned 8		Read Only	No	Work area limit değerleri dışına çıktığında bunu gösterir.
	0x02	Work Area State Ch. 2	Unsigned 8		Read Only	No	

Work Area Low Limit

Index	Sub Index	Name	Type	Value	Access	Save	Comment
0x6401	0x00	Number of Entries	Unsigned 8	2	Read Only	No	
	0x01	Work Area Low Limit Ch. 1	Integer 32	0	Read/Write	Yes	
	0x02	Work Area Low Limit Ch. 2	Integer 32	0	Read/Write	Yes	

Work Area High Limit

Index	Sub Index	Name	Type	Value	Access	Save	Comment
0x6402	0x00	Number of Entries	Unsigned 8	2	Read Only	No	
	0x01	Work Area High Limit Ch. 1	Integer 32	Strok (mikro metre)	Read/Write	Yes	
	0x02	Work Area High Limit Ch. 2	Integer 32	Strok (mikro metre)	Read/Write	Yes	

Position Value for Multi-Sensor Device: Sensor output value is in micrometer. Position Value Ch. 1, it gives the value of output value divided by resolution. Position Value Ch. 2, (strok - çıkış değerinin) gives the value of divided by resolution.

4.3 Communication Profile Area

Device Type

Index	Sub Index	Name	Type	Value	Access	Save	Comment
0x1000	0x00	Device Type	Unsigned 32	0x0080 196	Read Only	No	

Error Register

Index	Sub Index	Name	Type	Value	Access	Save	Comment
0x1001	0x00	Error Register	Unsigned 8	0	Read Only	No	

Pre-Defined Error Field

Index	Sub Index	Name	Type	Value	Access	Save	Comment
0x1003	0x00	Number of Errors	Unsigned 8	Up to 8	Read/Write	No	
	0x01..0x08	History Errors	Unsigned 32	0	Read Only	No	Acil durum hata geçmişi.

Manufacturer Device Name

Index	Sub Index	Name	Type	Value	Access	Save	Comment
0x1008	0x00	Manufacturer Device Name	String	StringWire Potentiometer	Read Only	No	

Manufacturer Hardware Version

Index	Sub Index	Name	Type	Value	Access	Save	Comment
0x1009	0x00	Manufacturer Hardware Version	String	V1.0	Read Only	No	

Manufacturer Software Name

Index	Sub Index	Name	Type	Value	Access	Save	Comment
0x100A	0x00	Manufacturer Software Version	String	V1.0	Read Only	No	

Store Parameters

Index	Sub Index	Name	Type	Value	Access	Save	Comment
0x1010	0x00	Number of Entries	Unsigned 8	1	Read Only	No	
	0x01	Save all parameters	Unsigned 32	0	Read/Write	No	Devre dışıdır. Değişiklik yapılan parametre otomatik kaydedilir.

Restore Parameters

Index	Sub Index	Name	Type	Value	Access	Save	Comment
0x1011	0x00	Number of Entries	Unsigned 8	1	Read Only	No	
	0x01	Restore all parameters	Unsigned 32	1	Read/Write	No	0x64616F6C değeri yazıldığında varsayılan parametreler yüklenir.

Emergency COB-ID

Index	Sub Index	Name	Type	Value	Access	Save	Comment
0x1014	0x00	Emergency COB-ID	Unsigned 32	Node ID+0x80	Read/Write	Yes	

Inhibit Time Emergency

Index	Sub Index	Name	Type	Value	Access	Save	Comment
0x1015	0x00	Inhibit Time Emergency	Unsigned 16	0	Read/Write	Yes	

Producer Heartbeat Time

Index	Sub Index	Name	Type	Value	Access	Save	Comment
0x1017	0x00	Producer Heartbeat Time	Unsigned 16	0	Read/Write	Yes	

Identity

Index	Sub Index	Name	Type	Value	Access	Save	Comment
0x1018	0x00	Number of Entries	Unsigned 8	4	Read Only	No	
	0x01	Vendor ID	Unsigned 32	0	Read Only	No	
	0x02	Product Code	Unsigned 32	0	Read Only	No	
	0x03	Revision Number	Unsigned 32	0	Read Only	No	
	0x04	Serial Number	Unsigned 32	0	Read Only	No	

Server SDO Parameter

Index	Sub Index	Name	Type	Value	Access	Save	Comment
0x1200	0x00	Number of Entries	Unsigned 8	2	Read Only	No	
	0x01	COB-ID Client to Server	Unsigned 32	NODE ID +0x600	Read Only	No	
	0x02	COB-ID Server to Client	Unsigned 32	NODE ID +0x580	Read Only	No	

Transmit PDO 1 Parameters

Index	Sub Index	Name	Type	Value	Access	Save	Comment
0x1800	0x00	Number of Entries	Unsigned 8	6	Read Only	No	
	0x01	COB-ID	Unsigned 32	NODE ID +0x180	Read/Write	Yes	
	0x02	Transmission Type	Unsigned 8	0xFE	Read/Write	Yes	
	0x03	Inhibit Time	Unsigned 16	0	Read/Write	Yes	
	0x04	Compatibility Entry	Unsigned 8	0	Read/Write	Yes	
	0x05	Event Timer	Unsigned 16	0X1F4	Read/Write	Yes	
	0x06	SYNC Start Value	Unsigned 8	0	Read/Write	Yes	

Transmit PDO 2 Parameters

Index	Sub Index	Name	Type	Value	Access	Save	Comment
0x1801	0x00	Number of Entries	Unsigned 8	6	Read Only	No	
	0x01	COB-ID	Unsigned 32	NODE ID +0x280	Read/Write	Yes	
	0x02	Transmission Type	Unsigned 8	0xFE	Read/Write	Yes	
	0x03	Inhibit Time	Unsigned 16	0	Read/Write	Yes	
	0x04	Compatibility Entry	Unsigned 8	0	Read/Write	Yes	
	0x05	Event Timer	Unsigned 16	0X1F4	Read/Write	Yes	
	0x06	SYNC Start Value	Unsigned 8	0	Read/Write	Yes	

Transmit PDO 1 Mapping

Index	Sub Index	Name	Type	Value	Access	Save	Comment
0x1A00	0x00	Number of Entries	Unsigned 8	2	Read/Write	Yes	
	0x01	PDO 1 Mapping Entry 1	Unsigned 32	0x21100110	Read/Write	Yes	Sensör 1 çıkış değeri / Output Prescaler 1 (16 bit)
	0x02	PDO 1 Mapping Entry 2	Unsigned 32	0x21100210	Read/Write	Yes	Sensör 2 çıkış değeri / Output Prescaler 2 (16 bit)

Transmit PDO 2 Mapping

Index	Sub Index	Name	Type	Value	Access	Save	Comment
0x1A01	0x00	Number of Entries	Unsigned 8	2	Read/Write	Yes	
	0x01	PDO 2 Mapping Entry 1	Unsigned 32	0x22000120	Read/Write	Yes	Raw Position Value 1
	0x02	PDO 2 Mapping Entry 2	Unsigned 32	0x22000220	Read/Write	Yes	Raw Position Value 2

4.4 Manufacturer Specific Emergency Objects

Mesaj Tipi	Node	COB-ID	Data (Hex)	Comment
Emergency	0x01	0x081 (0x080 + Node Id)	00 10 80 00 00 00 00 00	Sensör okuma hatası.
Emergency	0x01	0x081 (0x080 + Node Id)	01 10 80 00 00 00 00 00	Kalibrasyon alt limit noktası aşıldı uyarısı.
Emergency	0x01	0x081 (0x080 + Node Id)	02 10 80 00 00 00 00 00	Kalibrasyon üst limit noktası aşıldı uyarısı.

Sensor reading error: Ürün Read in the product 2, from the sensor is at the rate of a specific tolerance values. Recognized exceeded when this tolerance is given sensor reading error.

For objects of this section to be active, **Enable Sensor Emergency** content should be 1.



ATEK ELEKTRONİK SENSÖR TEKNOLOJİLERİ SANAYİ VE TİCARET A.Ş.

📍 Gebze OSB, 800. Sokak, No:814 Gebze/KOCAELİ/TURKEY

☎ Tel: +90 262 673 76 00

📠 Fax : +90 262 673 76 08

🌐 Web: www.ateksensor.com

✉ E-Mail: info@ateksensor.com



Address / Endereço:

Rua Sete de Setembro, 2656
13560-181 - São Carlos - SP
Brazil / Brasil

Phone / Telefone:

+55 (16) 3371-0112
+55 (16) 3372-7800

Internet:

www.metrolog.net
metrolog@metrolog.net