

AWP 722

“Analog or CANopen Output,
High Accuracy, High Measuring Length”

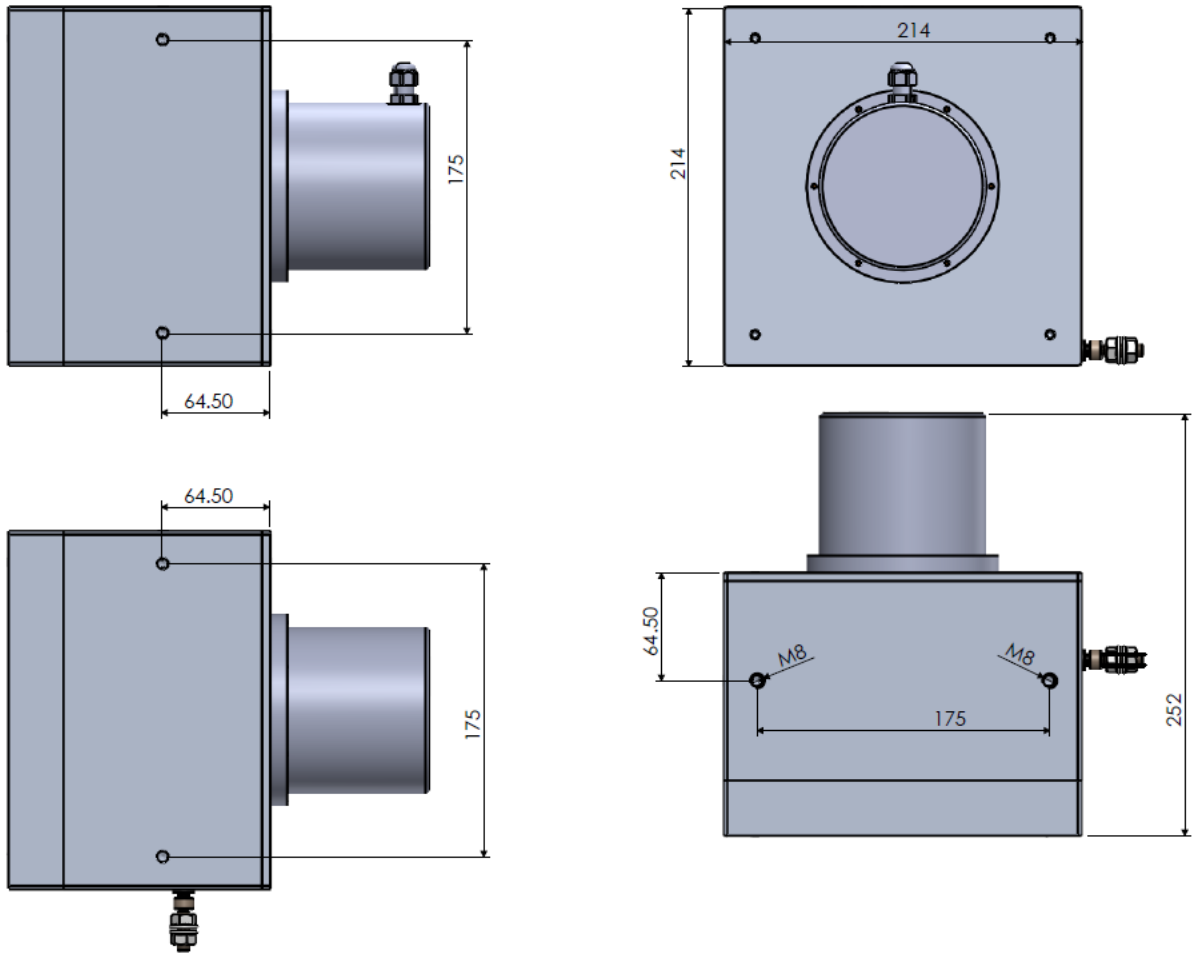


- Different stroke (measuring) lengths between 0...14000 mm and 0...22000 mm
- Magnetic absolute measurement technology
- Robust stainless steel measuring wire
- Aluminium housing
- Analog or CANopen output
- Programmable analog output option
- Standard IP53, optional IP67 protection class
- Compact design and easy mounting
- 1 m/s maximum movement speed
- Shock/vibration resistant

MECHANICAL DATA

| | |
|---------------------------------|---|
| Measuring Range (stroke) | Different measuring lengths between 0...14000 mm and 0...22000 mm |
| Max. Movement speed | 1 m/s |
| Extension Force | 12N |
| Protection Class | I IP53 (optional IP67) |
| Operating Temperature | -40°C...+85°C |
| Material | Body: Aluminium |
| | Measuring wire: Stainless steel |

MECHANICAL DIMENSIONS (mm)



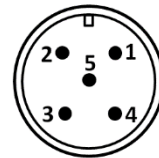
ANALOG VERSION

Electrical Specifications

| | |
|-----------------------------|---|
| Measuring range | Different measuring lengths between 0...14000 mm and 0...22000 mm |
| Supply voltage | 15...26 VDC |
| Current consumption | ≤60 mA |
| Reverse polarity protection | Yes |
| Short circuit protection | Yes (only supply) |
| Response frequency | 500 Hz |
| Resolution | 0.05 mm |
| Linearity | ±%0.3 FS |
| Output signal | Voltage: 0-10V, 0.5-4.5V, 0-5V Current: 4-20 mA |
| Signal characteristics | Increasing (exmp: 4-20 mA) Decreasing (exmp:20-4 mA) |
| Sensing device | Magnetic absolute encoder |
| Electrical connection | M12 connector or cable |

Electrical Connection

| Signal | Cable | M12 / 5 pin male connector |
|----------------------|--------|----------------------------|
| V+ (15...26 VDC) | Red | Pin 1 |
| Analog output signal | Yellow | Pin 2 |
| GND | Black | Pin 3 |
| N/C | Green | Pin 4 |
| N/C | Pink | Pin 5 |



Order Code

Electrical Connection

S13M: M12/5 pin male connector
2M: 2m cable
 *Optional others

Model

| | | | | | | |
|---------|---|------|---|------|---|----|
| AWP 722 | - | XXXX | - | XXXX | - | XX |
|---------|---|------|---|------|---|----|

Measuring Range

Different stroke (measuring) lengths between 0...14000 mm and 0...22000 mm

Analog Output Signal

- V : 0-10 VDC
- V1 : 0-5 VDC
- A : 4-20 mA
- V3 : 0.5-4.5 VDC
- NV : 10-0 VDC
- NV1 : 5-0 VDC
- NA : 20-4 mA
- NV3 : 4.5-0.5 VDC

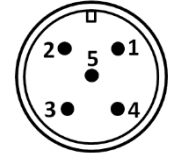
ANALOG VERSION, PROGRAMMABLE

Electrical Specifications

| | |
|-----------------------------|--|
| Measuring range | Different measuring lengths between 0...14000 mm and 0...22000 mm |
| Supply voltage | 15...26 VDC |
| Current consumption | ≤60 mA |
| Reverse polarity protection | Yes |
| Short circuit protection | Yes (only supply) |
| Response frequency | 500 Hz |
| Resolution | 0.05 mm |
| Linearity | ±%0.3 FS |
| Output signal | Voltage: 0-10V, 0.5-4.5V, 0-5V (programmable) Current: 4-20 mA (programmable) |
| Signal characteristics | Increasing (exmp: 4-20 mA) Decreasing (exmp:20-4 mA) |
| Sensing device | Magnetic absolute encoder |
| Electrical connection | M12 connector or cable |

Electrical Connection

| Signal | Cable | M12 / 5 pin male connector |
|----------------------|--------|----------------------------|
| V+ (15...26 VDC) | Red | Pin 1 |
| Analog output signal | Yellow | Pin 2 |
| GND | Black | Pin 3 |
| N/C | Green | Pin 4 |
| SPAN/ZERO | Pink | Pin 5 |



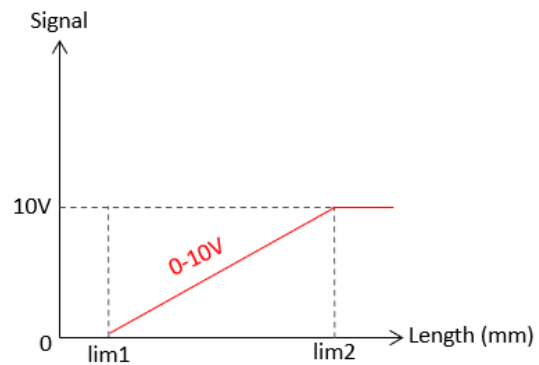
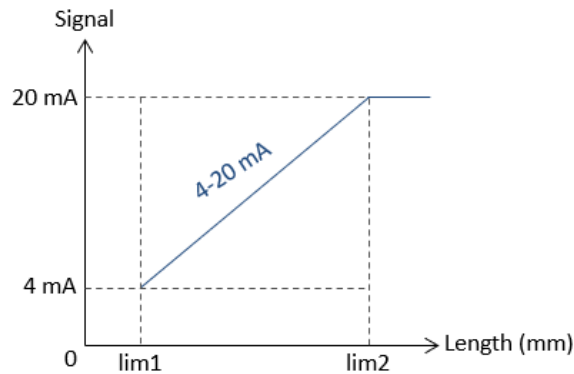
SETTING MEASUREMENT LIMITS: With this feature, you can set the minimum and maximum measurement limits.

In order to determine the **minimum measurement limit (lim1)**, the SPAN/ZERO and GND terminal are short-circuited for at least 3 seconds.

In order to determine the **maximum measurement limit (lim2)**, the SPAN/ZERO and GND terminal are short-circuited for at least 6 seconds.

To **return to the factory settings**, the SPAN/ZERO and GND terminal are short-circuited for at least 10 seconds.

SAMPLE SIGNAL OUTPUT GRAPHICS



Order Code

| Model | | Electrical Connection | | | Programming Feature | | | |
|--|---|--|---|------|---------------------|----|---|----|
| AWP 722 | - | XXXX | - | XXXX | - | XX | - | XX |
| Measuring Range | | Analog Output Signal | | | | | | |
| Different stroke (measuring) lengths between 0...14000 mm and 0...22000 mm | | V : 0-10 VDC V1 : 0-5 VDC A : 4-20 mA V3 : 0.5-4.5 VDC NV : 10-0 VDC NV1 : 5-0 VDC NA : 20-4 mA NV3 : 4.5-0.5 VDC | | | | | | |

CANopen VERSION

Electrical Specifications

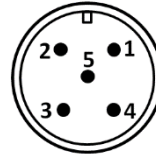
| | |
|-----------------------------|---|
| Measuring range | Different measuring lengths between 0...14000 mm and 0...22000 mm |
| Supply voltage | 12...30 VDC |
| Current consumption | ≤60 mA |
| Reverse polarity protection | Yes |
| Short circuit protection | Yes (only supply) |
| Response frequency | 500 Hz |
| Resolution | 50µm |
| Linearity | ±%0.3 FS |
| Sensing device | Magnetic absolute encoder |
| Electrical connection | M12 connector or cable |

CANopen Specifications

| | |
|------------------------|---|
| Communication Profile | CiA 301 |
| Device Type | CANopen, CiA DS406 |
| Node ID | Adjustable from 1 to 127 with LSS or SDO |
| Baud Rate | 10 kBit/s, 20 kBit/s, 50 kBit/s, 100 kBit/s, 125 kBit/s, 250 kBit/s, 500 kBit/s, 800 kBit/s, 1 Mbit/s |
| PDO Data Rate | 100 ms |
| Error Control | Heartbeat, Emergency Message |
| PDO | 3 Tx PDO |
| PDO Modes | Event/Time triggered, Synch/Asynch |
| SDO | 1 server |
| Position Information | Object Dictionary 0x6020 |
| Termination Resistance | Optional 120Ω |

Electrical Connection

| Signal | Cable | M12 / 5 pin male connector |
|-----------------|------------|----------------------------|
| CAN SHIELD | CAN SHIELD | Pin 1 |
| V+ (12...30VDC) | Red | Pin 2 |
| GND | Black | Pin 3 |
| CAN_H | Yellow | Pin 4 |
| CAN_L | Green | Pin 5 |



Order Code

| Model | | Electrical Connection | | | | |
|--|---|-----------------------|---------------|------|---|---|
| AWP 722 | - | XXXX | - | XXXX | - | X |
| Measuring Range | | | Output Signal | | | |
| Different stroke (measuring) lengths between 0...14000 mm and 0...22000 mm | | | C : CANopen | | | |

Electrical Connection

S13M: M12/5 pin male connector

2M: 2m cable

*Optional others



Address / Endereço:

Rua Sete de Setembro, 2656
13560-181 - São Carlos - SP
Brazil / Brasil

Phone / Telefone:

+55 (16) 3371-0112
+55 (16) 3372-7800

Internet:

www.metrolog.net
metrolog@metrolog.net