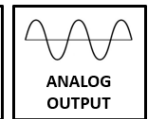
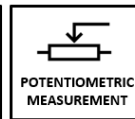


## GENERAL FEATURES

- Different stroke (measuring) lengths between 0...4000 mm and 0...8000 mm
- $\pm 0.1\%$  FS linearity
- Potentiometric, 0-10 VDC, 4-20 mA or CANopen output options
- Redundant output option
- IP67 protection class
- Compact design and easy installation
- 2 m/s maximum speed
- Shock/vibration resistant
- Aluminum body



AWP 508 series draw wire sensors; consists of a rotary potentiometer which is controlled by stainless steel wire. They make measurement by pulling and rewinding stainless steel wire. They convert linear motion to potentiometric output.

The “A” series gives of 4-20 mA analog output, the “V” series gives of 0-10 VDC analog and the “C” series gives of CANopen signal output with the help of the converter card.

Optionally, redundant output, different cable length or socket model can be requested.

## TECHNICAL SPECIFICATIONS

<b>*Stroke (measuring) Length</b>	Different measuring lengths between 0...4000 mm and 0...8000 mm	<b>*Resistance</b>	5 K $\Omega$ (standard), 10 K $\Omega$
		<b>Measuring Type</b>	Potentiometric
<b>*Supply Voltage</b>	“A” and “V” models: 12...30 VDC	<b>Materials</b>	Housing: Aluminum/plastic
	CANopen output model: 10...30 VDC		Measuring Wire: Stainless steel
	Potentiometric output model: 42V max.		
<b>*Output Signals</b>	Potentiometric 0-10 VDC 4-20 mA CANopen (Optionally Redundant Output)	<b>IP Protection Class</b>	IP67
		<b>*Electrical Connection</b>	Analog: 3x0,14 mm <sup>2</sup> shielded cable or M12 socket CANopen: 6x0,34 mm <sup>2</sup> twisted shielded cable or M12 5 pin male socket + M12 5 pin female socket
<b>Linearity</b>	$\pm 0.1\%$ FS	<b>Operating Temp.</b>	-25°C ... +85°C
<b>Maximum Speed</b>	2 m/s	<b>Relative Humidity</b>	%95
<b>Required Force</b>	10N	<b>Weight</b>	$\approx 2600$ gr

**Note:** The technical specifications indicated by (\*) vary according to the selected model. The detailed code table is shown on page 4.

## CANopen SPECIFICATIONS

<b>Resolution</b>	23 Bit
<b>Communication profile</b>	CiA 301
<b>Device Type</b>	CANopen, CiA DS508
<b>Node ID</b>	Between 1 and 127, it can be adjusted with LSS or SDO
<b>Baud Rate</b>	10 kBit/s, 20 kBit/s, 50 kBit/s, 100 kBit/s, 125 kBit/s, 250 kBit/s, 500 kBit/s, 800 kBit/s, 1 Mbit/s
<b>PDO Data Rate</b>	500 ms
<b>Error Control</b>	Heartbeat, Emergency Message
<b>PDO</b>	2 Tx PDO
<b>PDO Modes</b>	Event/Time triggered, Synch/Asynch
<b>SDO</b>	1 server
<b>Position Information</b>	Object Dictionary 6004
<b>Termination Resistance</b>	Optional, specify at the order stage.

## ELECTRICAL CONNECTION

### Analog

#### 0-10V or POTENTIOMETER Connection

Signal	Cable Color	M12 5 pin socket
Earth	Silver	Pin 1
+V	Red	Pin 2
0V	Black	Pin 3
0-10V / Pot	Yellow	Pin 4
-	-	Pin 5

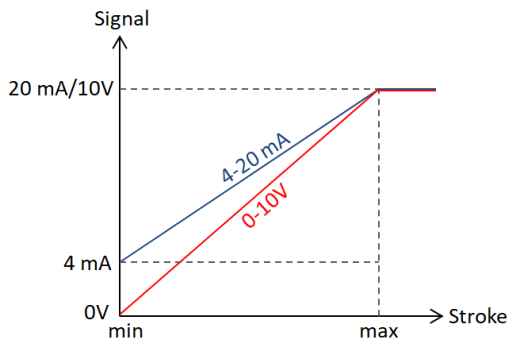
#### 4-20 mA Connection

Signal	Cable Color	M12 5 pin socket
Earth	Silver	Pin 1
+V	Red	Pin 2
-	-	Pin 3
4-20 mA	Yellow	Pin 4
-	-	Pin 5

\* 1 pcs M12 5 pin male connector is used as standard for single output models

\* Redundant models have two outputs. 1 pcs M12 5 pin male and 1 pcs M12 5 pin female sockets are used as standard.

\* Different socket models can be requested optionally.



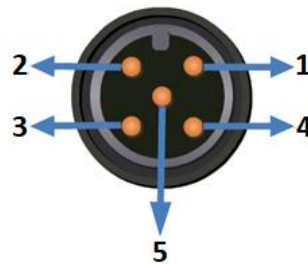
### CANopen

Signal	Cable Color	M12-5 Pin Socket
CAN_SHIELD	Silver (mesh)	Pin 1
+V (10...30 VDC)	Red	Pin 2
GND (0V)	Black	Pin 3
CAN_H	Yellow	Pin 4
CAN_L	Green	Pin 5

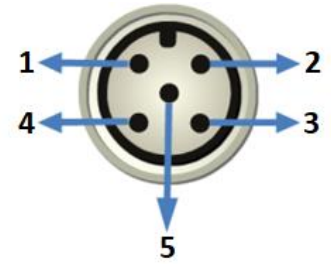
\* CANopen models have 2 outputs. 1 pcs M12 5 pin male and 1 pcs M12 5 pin female sockets are used as standard.

\* Different socket models can be requested optionally.

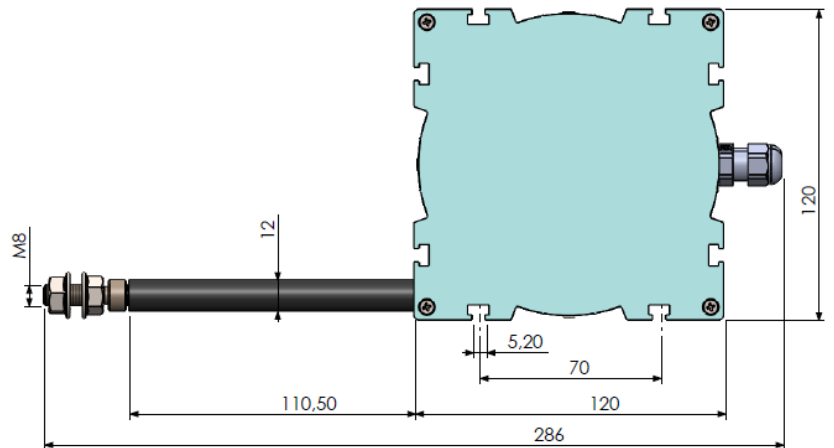
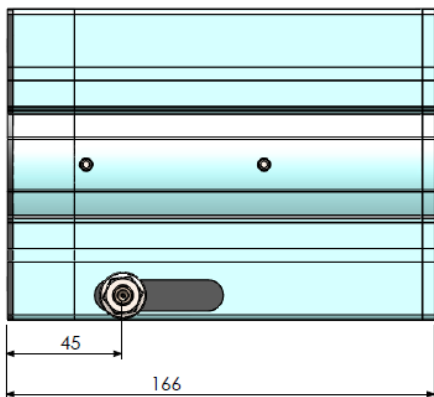
#### M12 5 Pin Male Socket



#### M12 5 Pin Female Socket

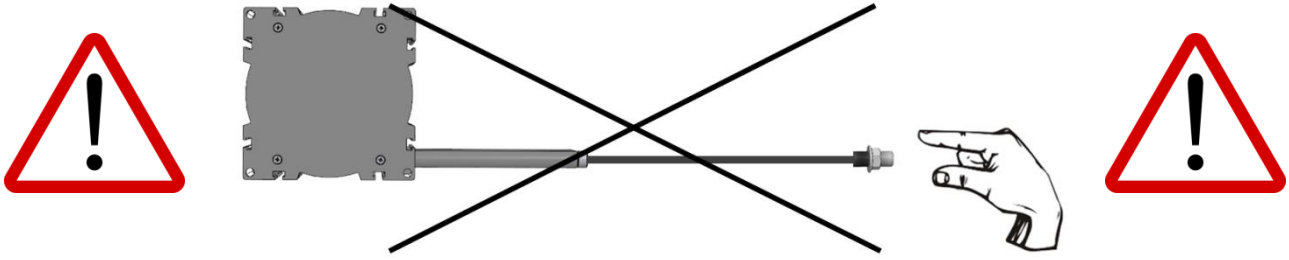


## MECHANICAL DIMENSIONS (mm)

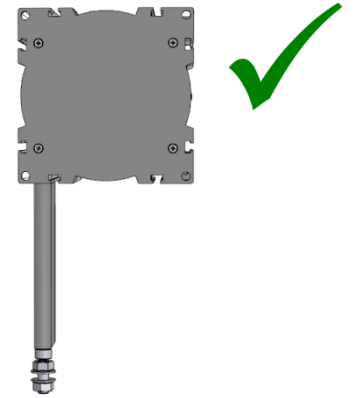
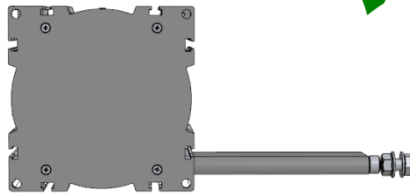
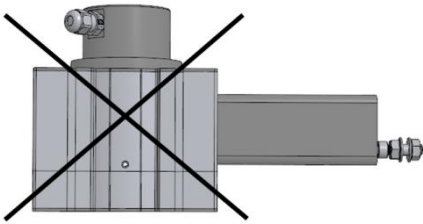


## MOUNTING AND WARNINGS

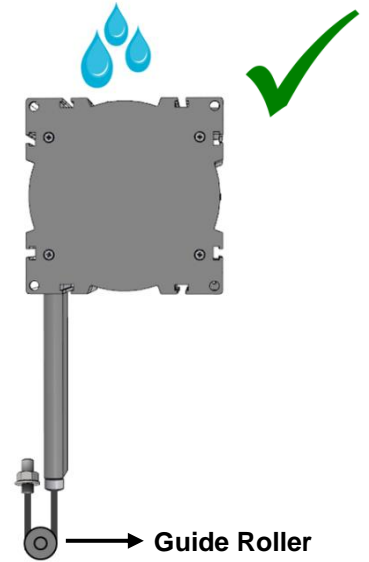
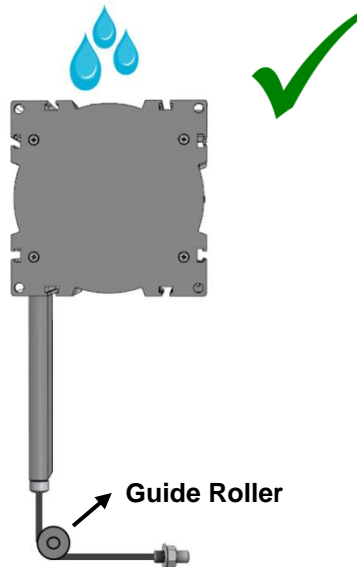
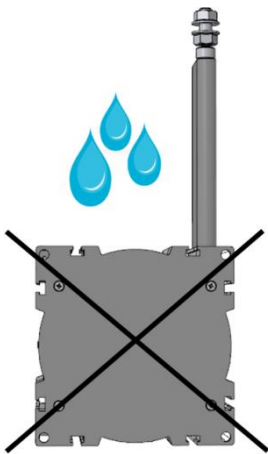
1. Never release the wire after pulling. Otherwise, the coil spring will be damaged.



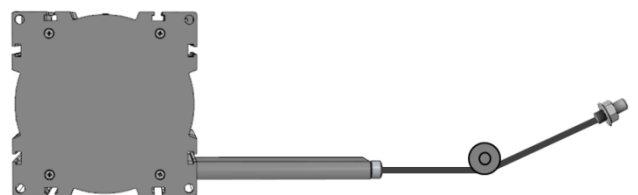
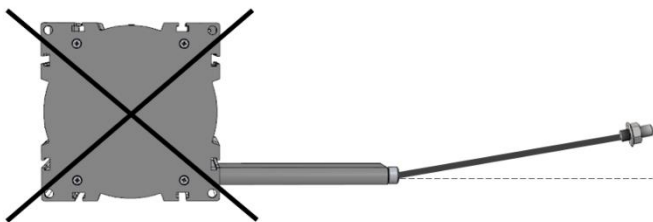
2. Mount the sensor according to the mounting directions shown below.



3. If there is a trickle of water (like a rain), the wire outlet must not be a drip of water upstream. If needed please use guide rollers.



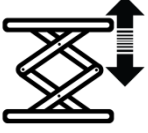
4. The wire should not be pulled in angular. If needed, please use guide rollers.



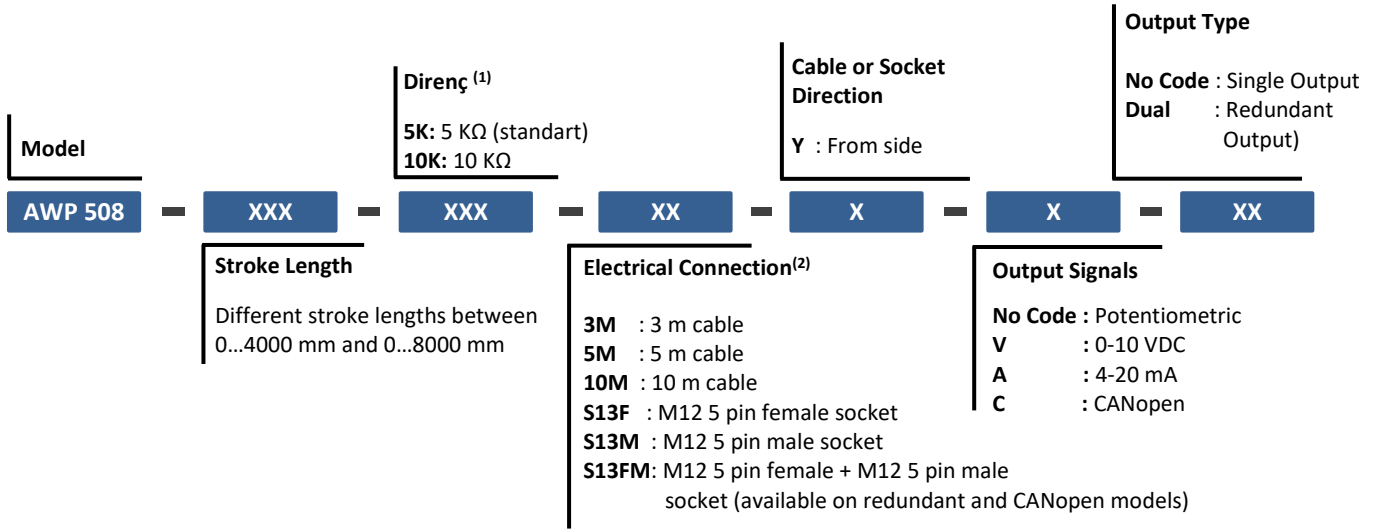
**Important Note(!):** Failure to comply with these recommendations, the malfunctions that may occur will not be under the warranty.

## SAMPLE APPLICATION FIELDS

- Elevators
- Press machines
- Crane systems
- Wood processing machines
- Marble processing machines
- Storage positioning
- Dam protections
- Sluice gate control
- Air compressors
- Glass processing machines
- Lifting platforms
- Applications in medical technologies (operating table etc.)
- Forklifts
- Screw machines
- Paper machines
- Sewing machines
- Hydraulic machines
- Sheet metal machines
- Printing machines
- Horizontal control equipments
- Construction machines
- Industrial robots
- Injection machines
- X-Y axis displacement
- Liquid level measurements and position control



## PRODUCT CODE



(1) For other resistance options, please contact us.

(2) The product can be requested with cable or socket. As standard;

For single output models, 1 pcs M12 5 pin male socket (S13M) is used.

For redundant and CANopen output models, 1 pcs M12 5 pin female + 1 pcs M12 5 pin male socket (S13FM) is used.

However, different socket combinations may be requested as in the examples below.

Please contact us for any other socket model other than M12.

**Sample 1:** AWP-508-8000-5K-S13M-Y-A-DUAL

AWP 508 series, 8000 mm stroke, 5K resistance, **2 pcs M12 5 pin male socket**, side socket outlet, current output, redundant

**Sample 2:** AWP-508-8000-5K-S13FM-Y-C-DUAL

AWP 508 series, 8000 mm stroke, 5K resistance, **1 pcs M12 5 pin female + 1 pcs M12 5 pin male socket**, side socket outlet, CAN output, redundant

**Sample 3:** AWP-508-8000-5K-3M-Y-A-DUAL

AWP 508 series, 8000 mm stroke, 5K resistance, **3 meters cable output**, side cable outlet, current output, redundant

## Atek Sensor Technologies



Tuzla KOSB Organize Sanayi Bolgesi Melek Aras Bulvari, No:67 34956 Tuzla-Istanbul / TURKEY



Tel: +90 216 399 44 04



Fax: +90 216 399 44 02



www.ateksensor.com



info@ateksensor.com



**Address / Endereço:**

Rua Sete de Setembro, 2656  
13560-181 - São Carlos - SP  
Brazil / Brasil

**Phone / Telefone:**

+55 (16) 3371-0112  
+55 (16) 3372-7800

**Internet:**

www.metrolog.net  
metrolog@metrolog.net