



- 1600, 2100, 2500, 3100, 4100, 5100 or 6100 mm measuring lengths
- Robust stainless steel measuring wire
- Delrin housing
- Potentiometric output
- IP40 protection class
- Compact design and easy mounting
- 2 m/s maximum movement speed
- Shock/vibration resistant

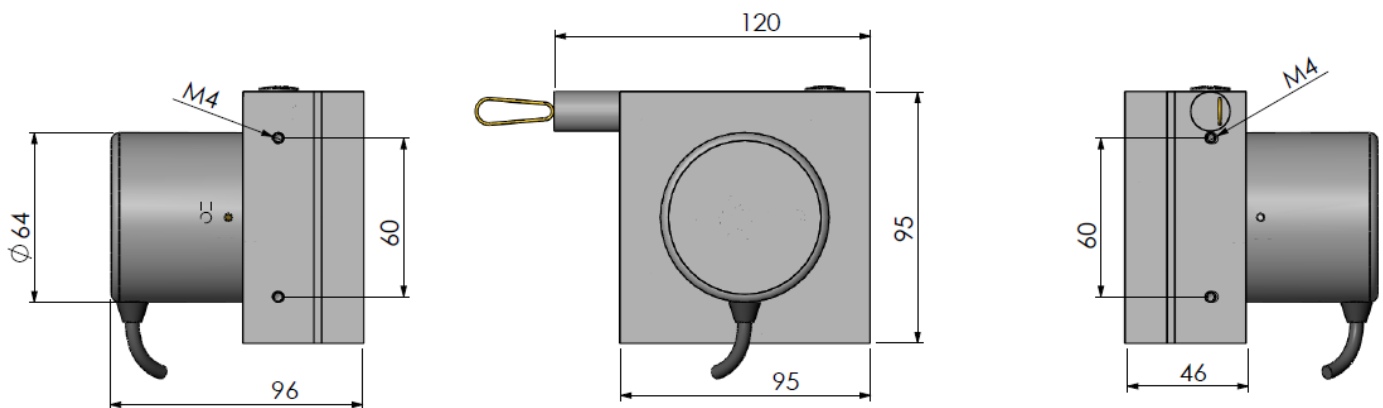
MECHANICAL DATA

Measuring Lengths (stroke)	1600, 2100, 2500, 3100, 4100, 5100, 6100 mm
Max. Movement speed	2 m/s
Protection class	IP40
Operating Temperature	-25°C...+85°C
Material	Body: Delrin
	Measuring wire: Stainless steel
Weight	~660 gr

ELECTRICAL DATA

Measuring principle	Potentiometric
Supply voltage	42V max.
Signal output type	Potentiometric
Resistance	5 K Ω (standard), 10 K Ω
Linearity	\pm %0.25 FS

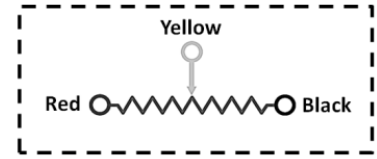
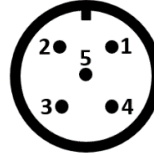
MECHANICAL DIMENSIONS (mm)



ELECTRICAL CONNECTIONS

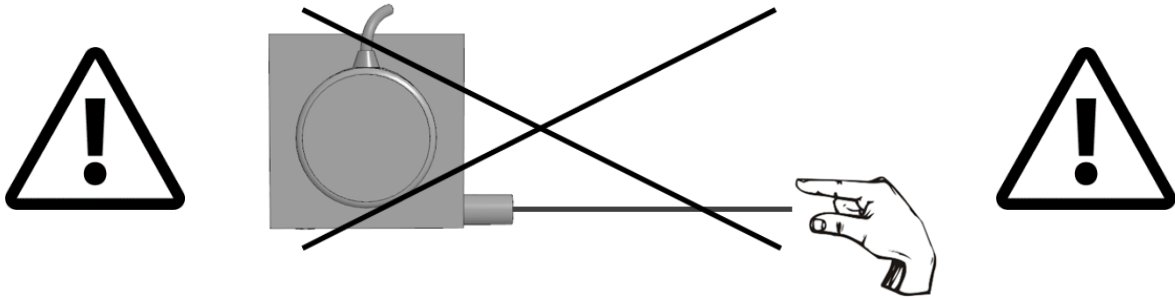
Never make or undo electrical connections to the sensor when voltage is applied, otherwise this may result in damage to devices.

Signal	Cable	M12/5 Pin Male Connector
Earth	Silver	Pin 1
+V	Red	Pin 2
0V	Black	Pin 3
Pot signal	Yellow	Pin 4
N/C	N/C	Pin 5



WARNING

Never release the wire after pulling. Otherwise, the coil spring will be damaged.



ORDER CODE

Model		Resistance	
AWP116	-	XXXX	- XX
Measuring Length		Electrical Connection	
1600: 1600 mm		3M : 3 m cable (std)	
2100: 2100 mm		5M : 5 m cable	
2500: 2500 mm		10M : 10 m cable	
3100: 3100 mm		S13M : M12 5 pin male socket	
4100: 4100 mm			
5100: 5100 mm			
6100: 6100 mm			

Atek Elektronik Sensör Teknolojileri Sanayi ve Ticaret A.Ş.

Gebze OSB, 800. Sokak, No:814 Gebze/KOCAELİ/TURKEY

Tel: +90 262 673 76 00

Tel: +90 262 673 76 08

www.ateksensor.com

info@ateksensor.com



Address / Endereço:

Rua Sete de Setembro, 2656
13560-181 - São Carlos - SP
Brazil / Brasil

Phone / Telefone:

+55 (16) 3371-0112
+55 (16) 3372-7800

Internet:

www.metrolog.net
metrolog@metrolog.net