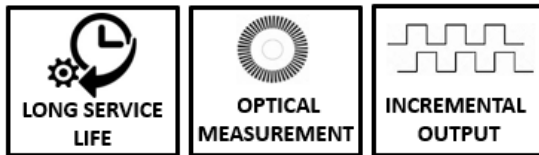
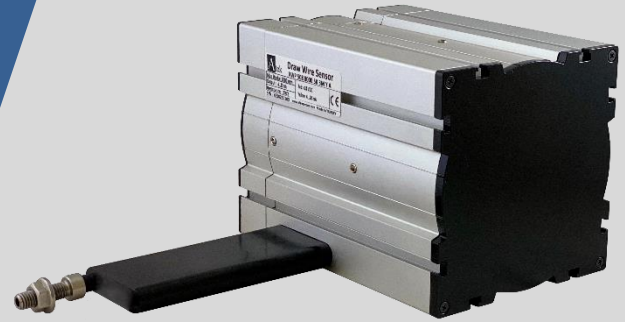


AWE 512

“High strength stainless steel wire”



- Different stroke (measuring) lengths between 0...5000 mm and 0...12000 mm
- Incremental output
- Stainless steel measuring wire
- IP54 protection class (Optional IP67)
- Compact design
- Easy installation
- 2 m/s maximum speed
- Shock/Vibration resistant
- Aluminum body

AWE 512 series wire encoders convert linear motion into incremental digital pulses. They have different stroke lengths up to 12000 mm. Optionally other resolutions, cable lengths and socket connectors can be requested.

They make measurement by pulling and rewinding stainless steel wire. Usage is practical and usage area is quite wide. By connecting to a counter or position controller, they become a perfect system in high resolutions for position control in wood processing, marble machines, glass processing machines and other machines.

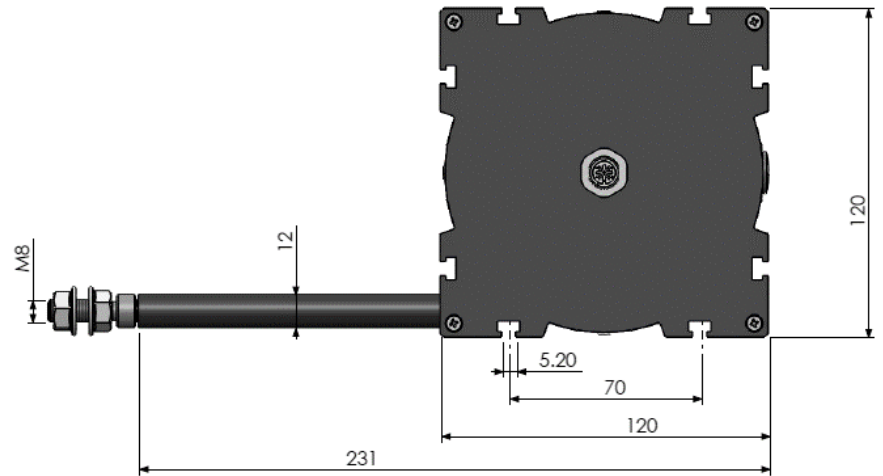
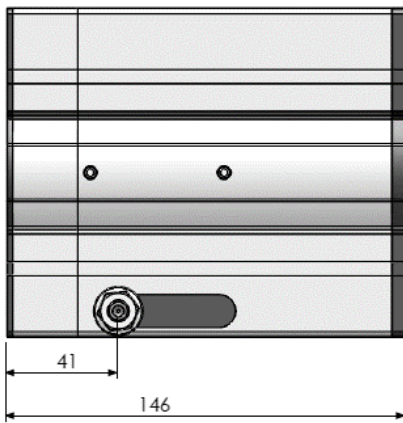
MECHANICAL DATA

Mechanical and Environmental Data

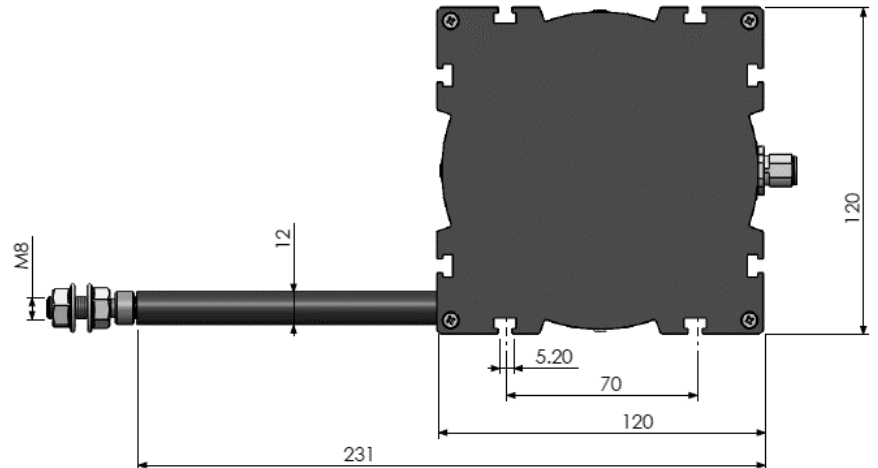
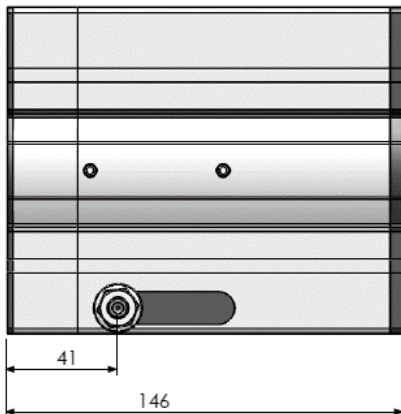
Stroke Length	Different measuring lengths between 0...5000 mm and 0...12000 mm	
Linearity	±0.25% FS	
Maximum Speed	2 m/s	
Required force	12 N	
Protection Class	IP54 (Optional IP67)	
Operating Temperature	-25°C ... +85°C	
Relative Humidity	%95	
Material	Body	Aluminum/steel /plastic
	Measuring wire	Stainless steel

MECHANICAL DIMENSIONS (mm)

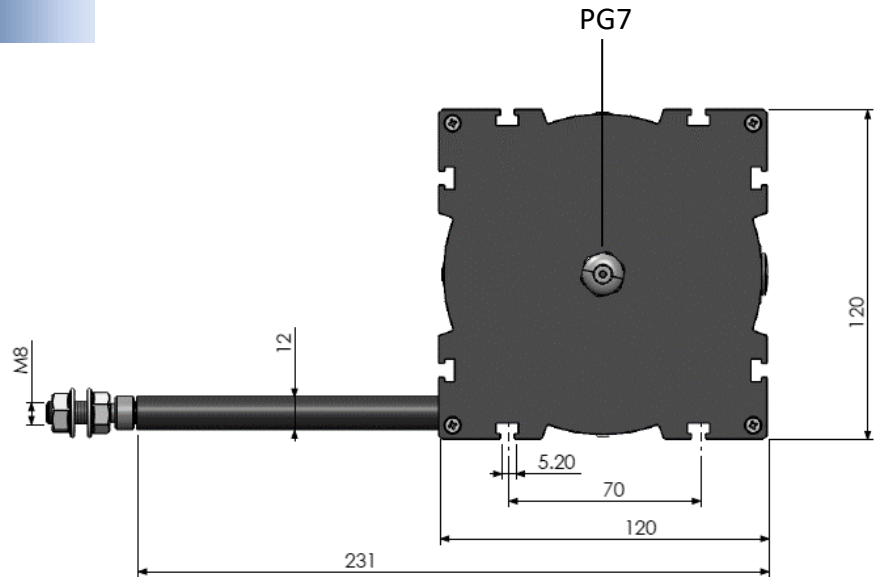
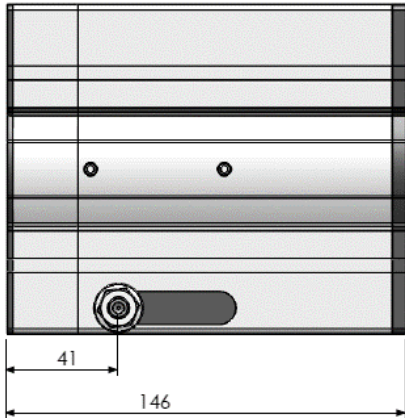
M12 Connector Output From Backside



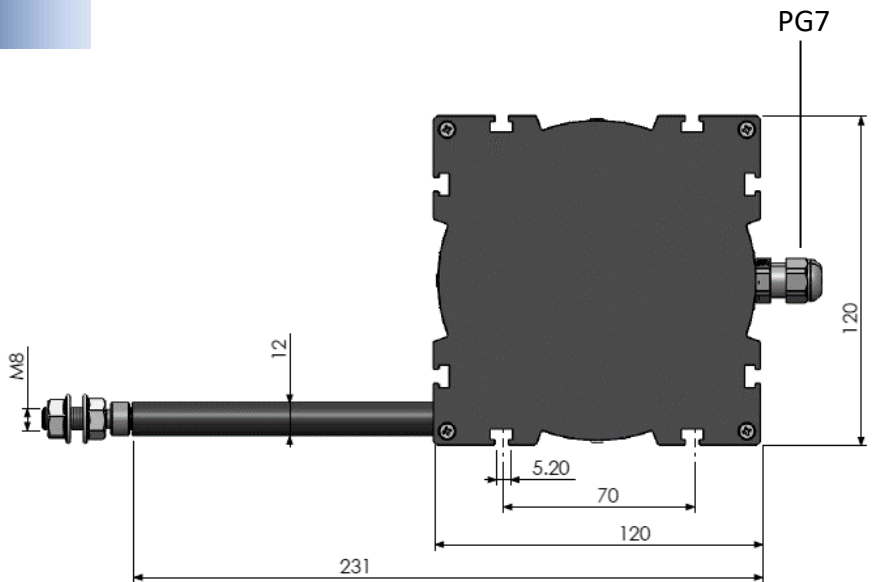
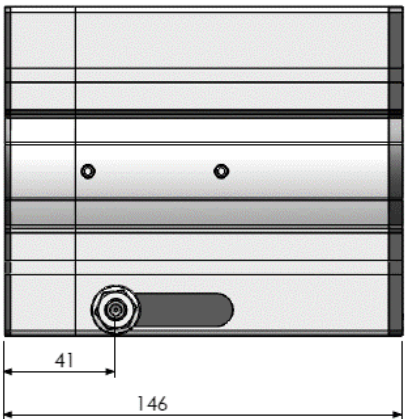
M12 Connector Output From Side



Cable Output From Backside



Cable Output From Side



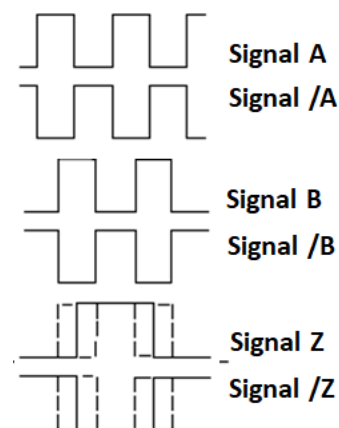
ELECTRICAL DATA

Measuring Type	Optical		
*Resolution	pulse/mm	mm/edge	
	3 pulses/mm	0.075 mm	
*Electrical Interface	Supply	Output	
	PP	10...30 VDC	10...30 VDC Push-Pull
	TTL	5 VDC	5VDC TTL RS422 Line Driver
	HTL	10...30 VDC	5VDC TTL RS422 Line Driver
	HPL	5...30 VDC	5...30 VDC Push-Pull
*Output Signals	A,B,Z (standard) A,B A,/A,B,/B A,/A,B,/B,Z,/Z		
Max Output Current	60 mA (per channel)		
*Electrical Connection	5 or 8x0,14 mm ² shielded cable M12 / 8 pin male connector		

ELECTRICAL CONNECTIONS

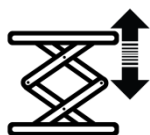
SIGNAL	CABLE COLOR	M12 8 PIN MALE CONN. PIN NO
A	Yellow	1
B	Green	2
+V	Red	3
0V	Black	4
Z	Pink	5
/A	Blue	6
/B	White	7
/Z	Grey	8
EARTH	Silver	-

In the right table the cable colors of sensors output signals are given. If the control circuit is suitable in the Line Driver sensors of the not output signals (/A, /B, /Z) have to be added to the system. If it is not suitable /A, /B, /Z signal cables must be fixed as insulated separately. Don't forget that these edges have electricity too.



SAMPLE APPLICATION FIELDS

- Elevators
- Press machines
- Crane systems
- Wood processing machines
- Marble processing machines
- Storage positioning
- Dam protections
- Sluice gate control
- Air compressors
- Glass processing machines
- Lifting platforms
- Applications in medical technologies (operating table etc.)
- Forklifts
- Screw machines
- Paper machines
- Sewing machines
- Hydraulic machines
- Sheet metal machines
- Printing machines
- Horizontal control equipments
- Construction machines
- Industrial robots
- Injection machines
- X-Y axis displacement
- Liquid level measurements and position control

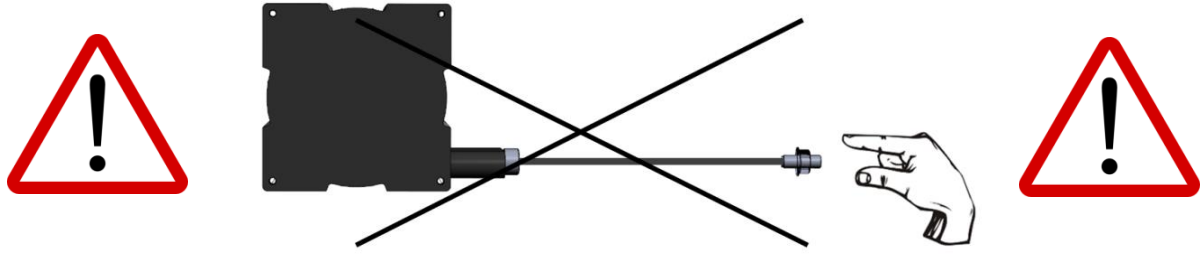


ORDER CODE

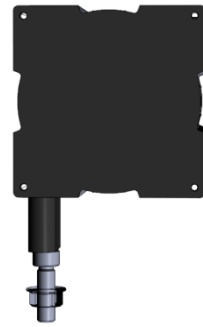
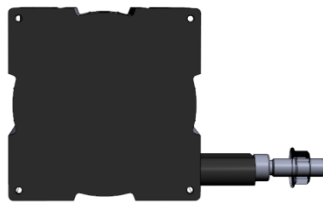
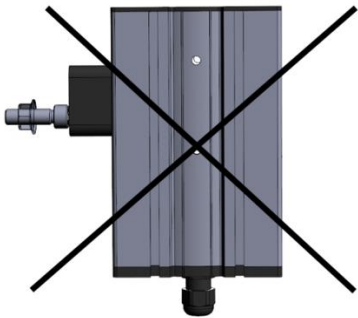
Model	Stroke Length	Output Signals	Cable or Socket Direction
AWE 512 - XX - XXXX - XXX - X - XX - X - XXXX	Different measuring lengths between 0...5000 mm and 0...12000 mm	2 (A,B) 3 (A,B,Z) (standard) 4 (A,/A,B,/B) 6 (A,/A,B,/B,Z,/Z)	B : From backside S : From side
Resolution 03 : 0.3 mm/pulse	Supply and Output	Electrical Connection	Protection Class
	PP : 10...30 VDC Supply : 10...30VDC Push-Pull Output TTL : 5 VDC Supply : 5 VDC TTL RS422 Line Driver Output HTL : 10...30 VDC Supply : 5 VDC TTL RS422 Line Driver Output HPL : 5...30 VDC Supply (standard) : 5...30 VDC Push-Pull Output	3M : 3m (standard) 5M : 5m 10M : 10m S14M : M12 / 8 Pin Male Conn.	No code : IP54 (std) IP67 : IP67

MOUNTING AND WARNINGS

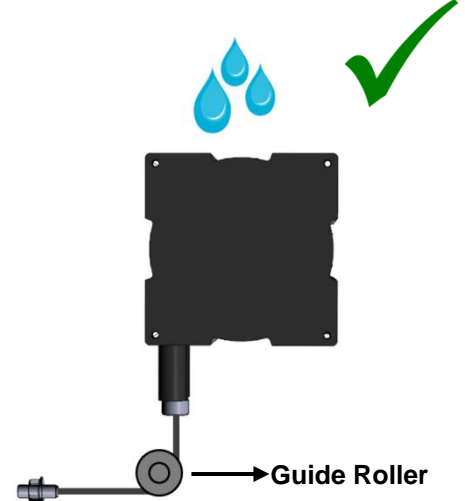
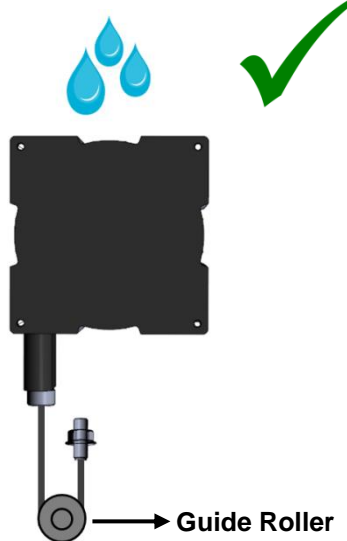
1. Never release the wire after pulling. Otherwise, the coil spring will be damaged.



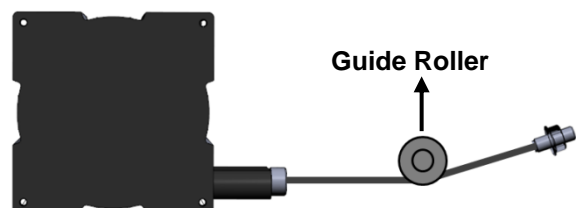
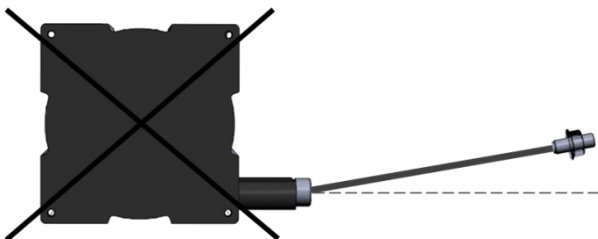
2. Mount the sensor according to the mounting directions shown below.



3. If there is a trickle of water (like a rain), the wire outlet must not be a drip of water upstream. If needed please use guide rollers.



4. The wire should not be pulled in angular. If needed, please use guide rollers.



Important Note(!): Failure to comply with these recommendations, the malfunctions that may occur will not be under the warranty.



DISTRIBUTOR / DISTRIBUIDOR
Brazil and South America / Brasil e América do Sul



www.metrolog.net



Metrolog Controles de Medição

Address / Endereço:

Rua Sete de Setembro, 2656
13560-181 - São Carlos - SP
Brazil / Brasil

Phone / Telefone:

+55 (16) 3371-0112
+55 (16) 3372-7800

Internet:

www.metrolog.net
metrolog@metrolog.net

Atek Sensor Technology A.S.



Tuzla Kimya Sanayicileri Org. San. Bolg. Melek Aras Bulvari, No:67 34956 Tuzla-Istanbul / TURKEY
Tel: +90 216 399 44 04 Fax: +90 216 399 44 02
www.ateksensor.com info@ateksensor.com