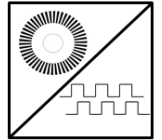




## GENERAL FEATURES

- Different stroke (measuring) lengths between 0...5000 mm and 0...10000 mm
- Incremental output
- Stainless steel measuring wire
- IP53 protection class
- Compact design
- Easy installation
- 2 m/s maximum speed
- Shock/Vibration resistant
- Aluminum anodized body



AWE 310 wire encoders convert linear motion into incremental digital pulses. Different stroke (measuring) lengths between 0...5000 mm and 0...10000 mm are available. Optionally other stroke lengths, resolutions, cable lengths and socket connectors can be requested.

They make measurement by pulling and rewinding stainless steel wire. Usage is practical and usage area is quite wide. By connecting to a counter or position controller, they become a perfect system in high resolutions for position control in wood processing, marble machines, glass processing machines and other machines.

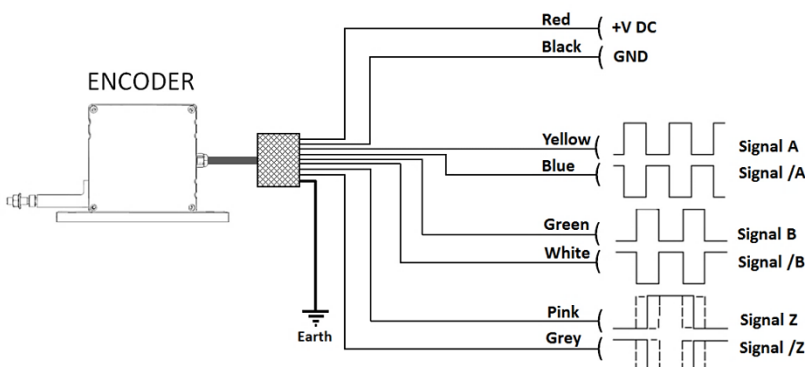
## TECHNICAL SPECIFICATIONS

<b>*Stroke (measuring) Length</b>	Different measuring lengths between 0...5000 mm and 0...10000 mm		<b>Maximum Speed</b>	2 m/s
<b>*Resolution</b>	pulse/mm	mm/edge	<b>Required force</b>	12 N
	3 pulses/mm	0.075 mm	<b>Max Output Current</b>	60 mA (per channel)
<b>*Connection Cable Length</b>	3m (standard), 5m, 10 m		<b>Measuring Type</b>	Optic
<b>*Supply Voltage</b>	5...30V DC ±20%		<b>Materials</b>	Housing: Aluminum/steel /plastic Measuring Wire: Stainless steel
<b>*Output Signals</b>	A,B,Z (standard)		<b>IP Protection Class</b>	IP53
	A,B		<b>Operating Temperature</b>	-25°C ... +85°C
	A,/A,B,/B		<b>Relative Humidity</b>	%95
<b>Accuracy</b>	±0.25% FS		<b>Weight</b>	≈2700 gr
	A,/A,B,/B,Z,/Z			

**Note:** The technical specifications indicated by (\*) vary according to the selected model. The detailed code table is shown on page 3.

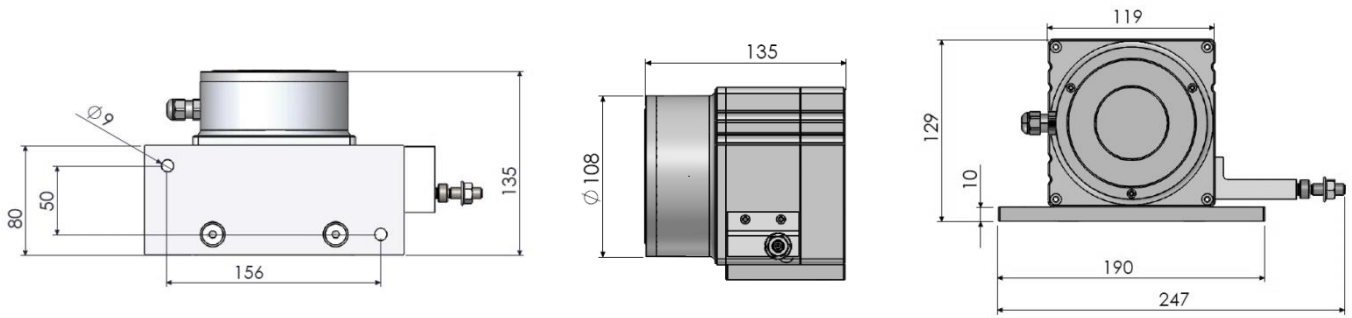
## ELECTRICAL CONNECTION

In the left tablet he cable colors of sensors output signals are given. If the control circuit is suitable in the Line Driver sensors of the not output signals (/A, /B, /Z) have to be added to the system. If it is not suitable /A, /B, /Z signal cables must be fixed as insulated separately. Don't forget that these edges have electricity too.



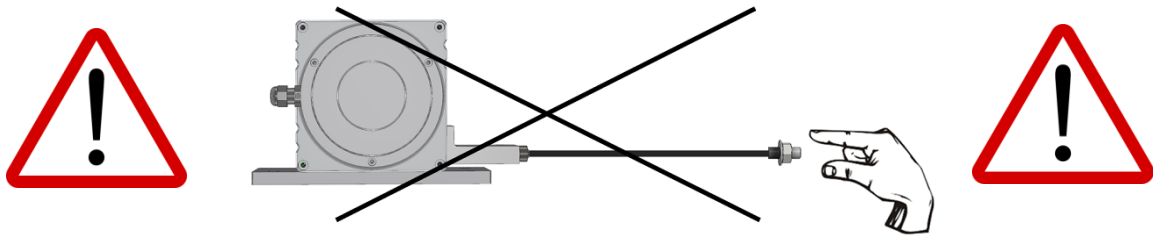
SIGNAL	CABLE COLOR	M12/8 pin SOCKET	M12/5pin SOCKET
		PIN NO	PIN NO
A	Yellow	1	1
B	Green	2	2
+V	Red	3	3
0V	Black	4	4
Z	Pink	5	5
/A	Blue	6	-
/B	White	7	-
/Z	Grey	8	-
EARTH	Silver	-	-

## DIMENSIONS

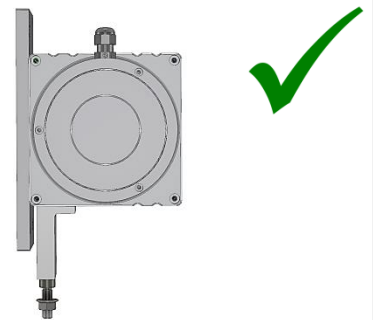
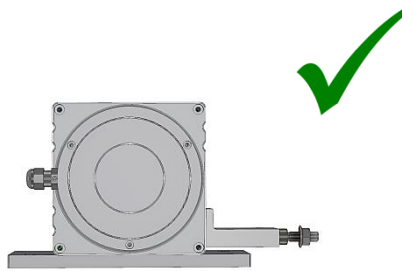
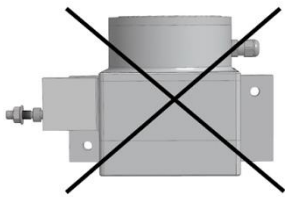


## MOUNTING AND WARNINGS

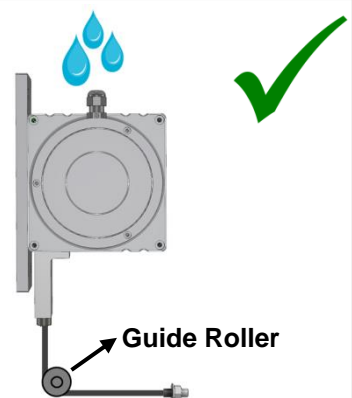
**1. Never release the wire after pulling. Otherwise, the coil spring will be damaged.**



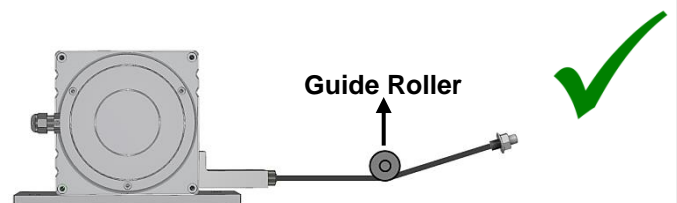
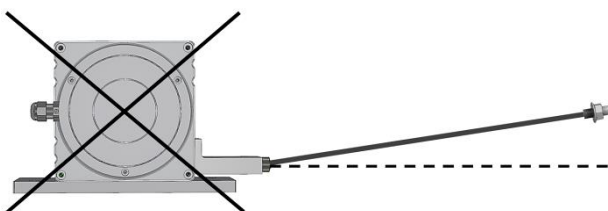
**2. Mount the sensor according to the mounting directions shown below.**



**3. If there is a trickle of water (like a rain), the wire outlet must not be a drip of water upstream. If needed please use guide rollers.**



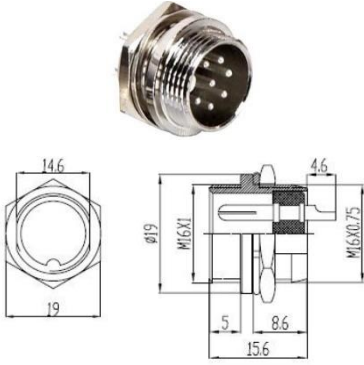
**4. The wire should not be pulled in angular. If needed, please use guide rollers.**



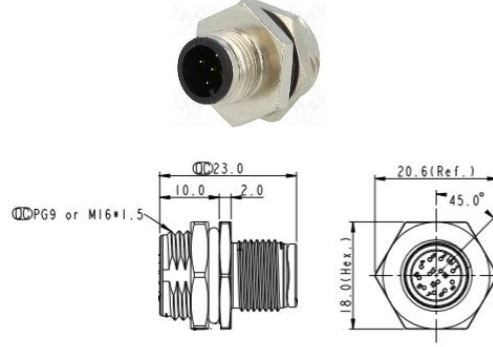
**Important Note(!): Failure to comply with these recommendations, the malfunctions that may occur will not be under the warranty.**

## SOCKET MODELS

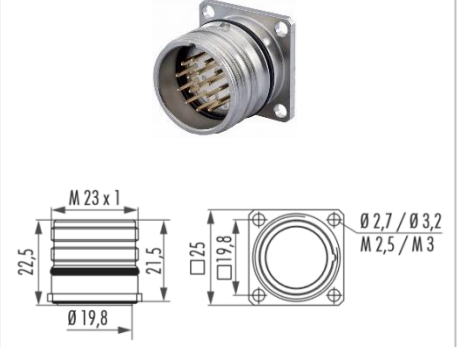
### M16 8 PIN MALE SOCKET



### M12 5 PIN MALE SOCKET

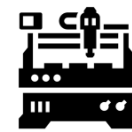
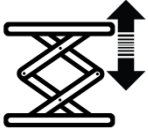


### M23 12 PIN MALE SOCKET



## SAMPLE APPLICATION FIELDS

- Elevators
- Press machines
- Crane systems
- Wood processing machines
- Marble processing machines
- Storage positioning
- Dam protections
- Sluice gate control
- Air compressors
- Glass processing machines
- Lifting platforms
- Applications in medical technologies (operating table etc.)
- Forklifts
- Screw machines
- Paper machines
- Sewing machines
- Hydraulic machines
- Sheet metal machines
- Printing machines
- Horizontal control equipments
- Construction machines
- Industrial robots
- Injection machines
- X-Y axis displacement
- Liquid level measurements and position control



## PRODUCT CODE

<b>Model</b> AWE 310	<b>Stroke Length*</b> Different stroke (measuring) lengths between 0...5000 mm and 0...10000 mm	<b>Output Signals</b> 2 (A,B) 3 (A,B,Z) (standard) 4 (A,/A,B,/B) 6 (A,/A,B,/B,Z,/Z)
<b>AWE 310</b> - <b>XX</b> - <b>XXX</b> - <b>XXX</b> - <b>X</b> - <b>XX</b>	<b>Resolution*</b> 03 : 0.3 mm/pulse	<b>Supply and Output</b> PP : 10...30 VDC Supply : 10...30VDC Output TTL : 5 VDC Supply : 5 VDC TTL RS422 Line Driver Output HTL : 10...30 VDC Supply : 5 VDC TTL RS422 Line Driver Output HPL : 5...30 VDC Supply (standard) : 5...30 VDC Push-Pull Output
	<b>Electrical Connection*</b> 3M : 3m (standard) 5M : 5m 10M : 10m S13 : M12 5 Pin Male Socket S14 : M12 8 Pin Male Socket S16 : M16 8 Pin Male Socket S23 : M23 12 Pin Male Socket	

(\* ) Please contact for other (customized) options.

Atek Elektronik Sensör Teknolojileri Sanayi ve Ticaret A.Ş.

Gebze OSB, 800. Sokak, No:814 Gebze/KOCAELİ/TURKEY

Tel: +90 262 673 76 00

Fax: +90 262 673 76 08

[www.ateksensor.com](http://www.ateksensor.com)

[info@ateksensor.com](mailto:info@ateksensor.com)



**Address / Endereço:**

Rua Sete de Setembro, 2656  
13560-181 - São Carlos - SP  
Brazil / Brasil

**Phone / Telefone:**

+55 (16) 3371-0112  
+55 (16) 3372-7800

**Internet:**

www.metrolog.net  
metrolog@metrolog.net