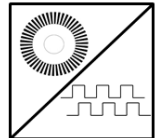




GENERAL FEATURES

- Different stroke (measuring) lengths between 0...1000 mm and 0...5000 mm
- Incremental output
- Stainless steel measuring wire
- IP53 protection class
- Compact design
- Easy installation
- 2 m/s maximum speed
- Shock/Vibration resistant



AWE 210 wire encoders convert linear motion into incremental digital pulses. Different stroke (measuring) lengths between 0...1000 mm and 0...5000 mm are available. Optionally other stroke lengths, resolutions, cable lengths and socket connectors can be requested.

They make measurement by pulling and rewinding stainless steel wire. Usage is practical and usage area is quite wide. By connecting to a counter or position controller, they become a perfect system in high resolutions for position control in wood processing, marble machines, glass processing machines and other machines.

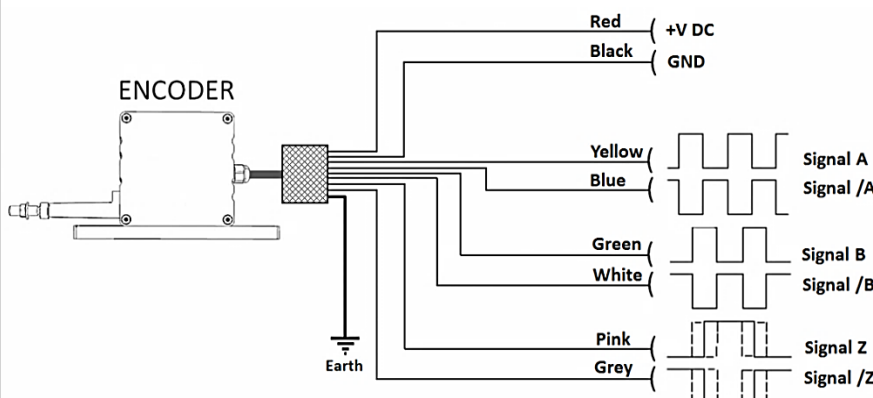
TECHNICAL SPECIFICATIONS

*Stroke (measuring) Length	Different stroke (measuring) lengths between 0...1000 mm and 0...5000 mm		Maximum Speed	2 m/s
	*Resolution	pulse/mm mm/edge	Required force	10 N
	5 pulses/mm	0.05 mm	Max Output Current	60 mA (per channel)
*Connection Cable Length	3m (standard), 5m, 10 m		Measuring Type	Optic
*Supply Voltage	5...30V DC ±20%		Materials	Housing: Aluminum/steel /plastic Measuring Wire: Stainless steel
*Output Signals	A,B,Z (standard)		IP Protection Class	IP53
	A,B		Operating Temperature	-25°C ... +85°C
	A,/A,B,/B		Relative Humidity	%95
	A,/A,B,/B,Z,/Z		Weight	≈1900 gr
Accuracy	±0.25% FS			

Note: The technical specifications indicated by (*) vary according to the selected model. The detailed code table is shown on page 3.

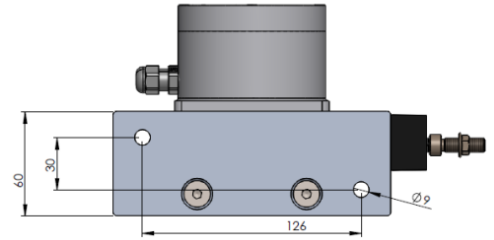
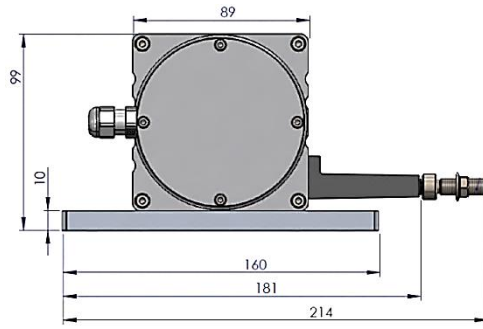
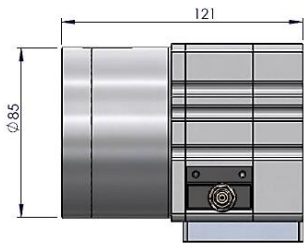
ELECTRICAL CONNECTION

In the left tablet the cable colors of sensors output signals are given. If the control circuit is suitable in the Line Driver sensors of the not output signals (/A, /B, /Z) have to be added to the system. If it is not suitable /A, /B, /Z signal cables must be fixed as insulated separately. Don't forget that these edges have electricity too.



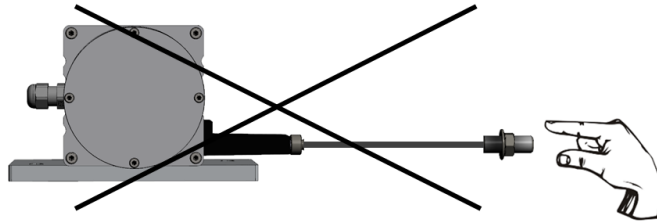
SIGNAL	CABLE COLOR	M12/8 pin SOCKET	M12/5pin SOCKET
		PIN NO	PIN NO
A	Yellow	1	1
B	Green	2	2
+V	Red	3	3
0V	Black	4	4
Z	Pink	5	5
/A	Blue	6	-
/B	White	7	-
/Z	Grey	8	-
EARTH	Silver	-	-

DIMENSIONS

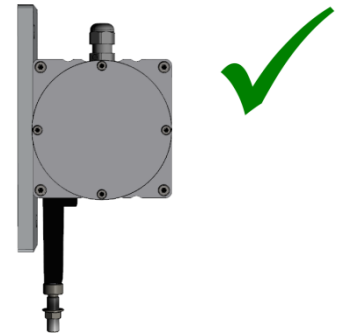
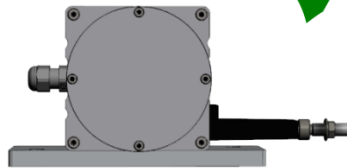
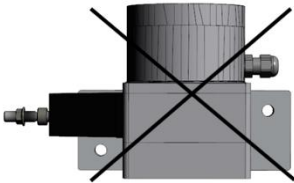


MOUNTING AND WARNINGS

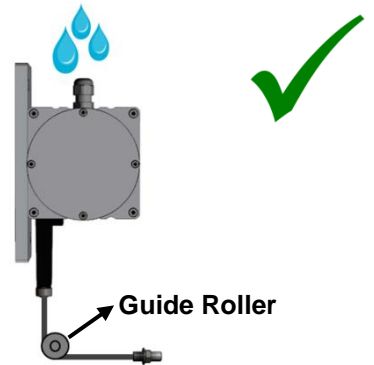
1. Never release the wire after pulling. Otherwise, the coil spring will be damaged.



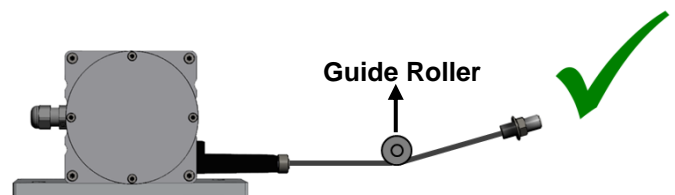
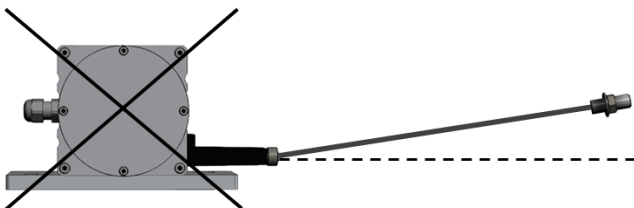
2. Mount the sensor according to the mounting directions shown below.



3. If there is a trickle of water (like a rain), the wire outlet must not be a drip of water upstream. If needed please use guide rollers.



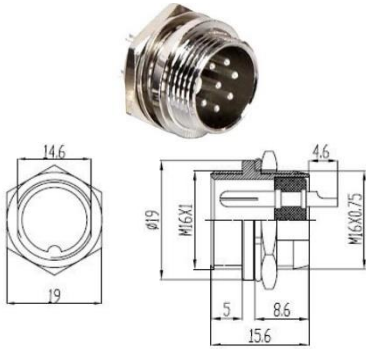
4. The wire should not be pulled in angular. If needed, please use guide rollers.



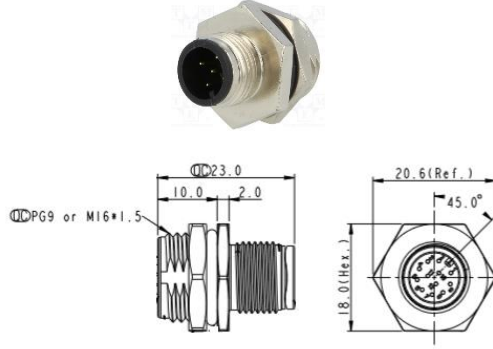
Important Note(!): Failure to comply with these recommendations, the malfunctions that may occur will not be under the warranty.

SOCKET MODELS

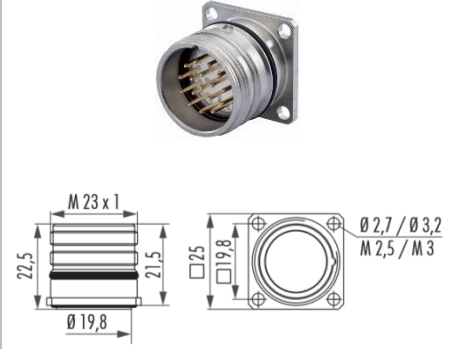
M16 8 PIN MALE SOCKET



M12 5 PIN MALE SOCKET

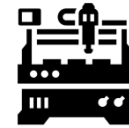
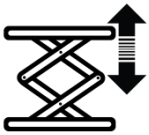


M23 12 PIN MALE SOCKET



SAMPLE APPLICATION FIELDS

- Elevators
- Press machines
- Crane systems
- Wood processing machines
- Marble processing machines
- Storage positioning
- Dam protections
- Sluice gate control
- Air compressors
- Glass processing machines
- Lifting platforms
- Applications in medical technologies (operating table etc.)
- Forklifts
- Screw machines
- Paper machines
- Sewing machines
- Hydraulic machines
- Sheet metal machines
- Printing machines
- Horizontal control equipments
- Construction machines
- Industrial robots
- Injection machines
- X-Y axis displacement
- Liquid level measurements and position control



ORDER CODE

Model AWE 210	Stroke Length * Different stroke (measuring) lengths between 0...1000 mm and 0...5000 mm	Output Signals 2 (A,B) 3 (A,B,Z) (standard) 4 (A,/A,B,/B) 6 (A,/A,B,/B,Z,/Z)
AWE 210 - XX - XXX - XXX - X - XX	Resolution* 02 : 0.2 mm/pulse	Supply and Output PP : 10...30 VDC Supply : 10...30VDC Output TTL : 5 VDC Supply : 5 VDC TTL RS422 Line Driver Output HTL : 10...30 VDC Supply : 5 VDC TTL RS422 Line Driver Output HPL : 5...30 VDC Supply (standard) : 5...30 VDC Push-Pull Output
	Electrical Connection* 3M : 3m (standard) 5M : 5m 10M : 10m S13 : M12 5 Pin Male Socket S14 : M12 8 Pin Male Socket S16 : M16 8 Pin Male Socket S23 : M23 12 Pin Male Socket	

(* Please contact for other (customized) options.

Atek Elektronik Sensör Teknolojileri Sanayi ve Ticaret A.Ş.



Gebze OSB, 800. Sokak, No:814 Gebze/KOCAELİ/TURKEY



Tel: +90 262 673 76 00



Fax: +90 262 673 76 08



www.ateksensor.com



info@ateksensor.com



Address / Endereço:

Rua Sete de Setembro, 2656
13560-181 - São Carlos - SP
Brazil / Brasil

Phone / Telefone:

+55 (16) 3371-0112
+55 (16) 3372-7800

Internet:

www.metrolog.net
metrolog@metrolog.net