

A250

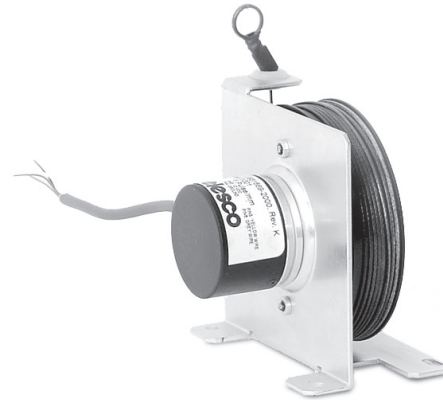
OEM Series • Incremental Output

Ranges: 0–2000 to 0–2500 mm

Compact, Open Frame Design

OEM Applications • Customer Specific Design

100-piece Minimum Order



The A250 Cable-Extension Transducer is an optical encoder-based compact, flexible and highly accurate position feedback transducer.

The standard A250 can be simply modified to meet specific OEM requirements. Just about any encoder type can be used for your specific requirement. Designs are available for new applications or as drop-in replacements of current assemblies. You can specify custom mounting, custom electrical connections and even customer-specified life testing. Quantities are available as small as 100 units.

GENERAL

Full Stroke Ranges	0-2000 & 0-2500 mm
Spool Circumference	250 mm
Output Signal	incremental (quadrature) encoder
Accuracy	+0.04% of F.S.
Repeatability	+0.02% of F.S.
Resolution	0.4 to 10 pulses per mm*
Measuring Cable	0.034-in dia. nylon-coated stainless steel
Optional Measuring Cable	0.040-in. dia. thermoplastic
Sensor	incremental optical encoder
Frame Material	zinc-plated steel
Weight, max.	1 lb.

ELECTRICAL*

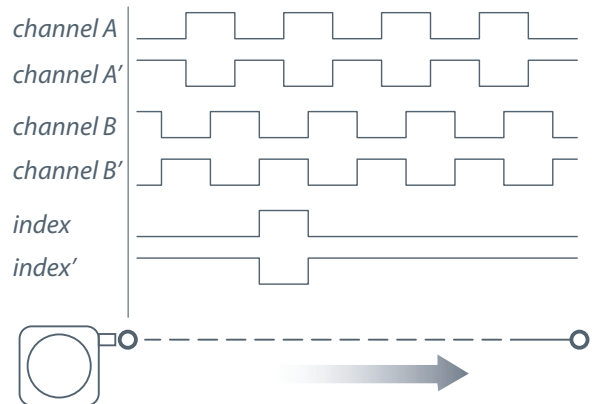
Encoder Output Driver Options	TTL-CMOS, open collector, line-driver
Output Channels	A, B and index (with and without compliments)
Input Voltage	4.5 to 26.4 VDC
Current Consumption	80 mA max.
Sink Current	20 mA max.

ENVIRONMENTAL*

Operating Temperature	-10°C to +70°C
Storage Temperature	-30°C to +80°C
Humidity	RH 85%, no condensation
Vibration	10 ~ 55 Hz / 1.5 mm 2 hr.
Shock	30 g 11ms (X,Y,Z each 3 times)

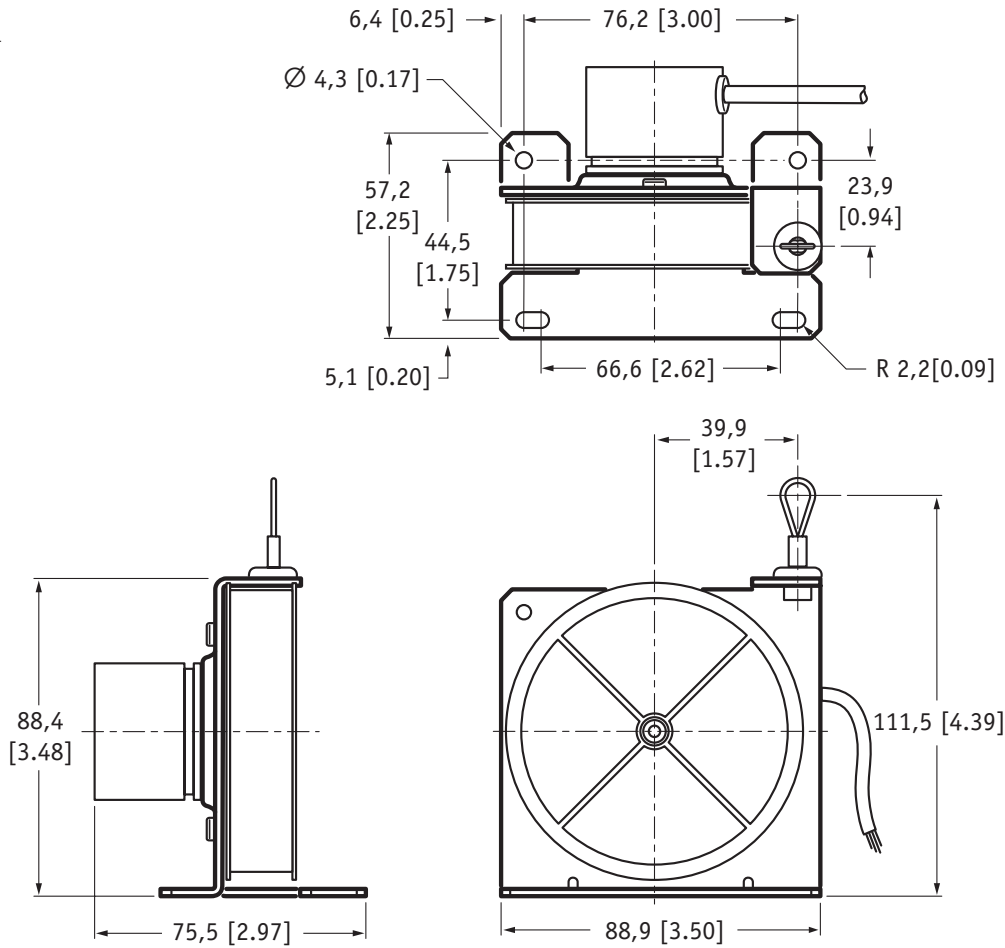
*specifications may vary with configuration, please consult factory

Output Signal Options



-- see ordering information for available channels

Outline Drawing:



ALL DIMENSIONS ARE IN MM [INCHES]

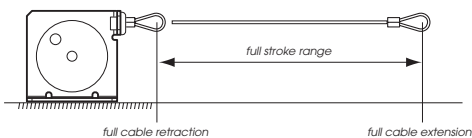
Ordering Information:

Application:

<please provide a brief description of application. include exact stroke range, velocity of stroke and estimated number of cycles per year.>

Full Stroke Range:

<select available range or specify complete requirements>



- 2000 mm
- 2500 mm
- other:

Measuring Cable:



- 0.034" dia. nylon-coated stainless steel
- 0.040" dia. thermoplastic

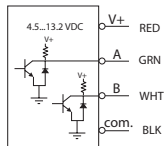
Ordering Information (cont.):

Measuring Cable Exit

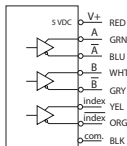


Encoder

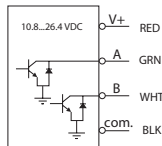
TTL - CMOS compatible



line driver



open collector

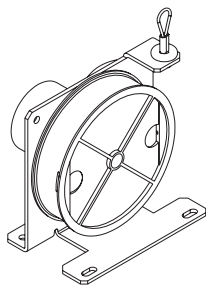


Resolution

- 0.4 pulses per mm
- 4 pulses per mm
- 8 pulses per mm
- 10 pulses per mm

Enclosure

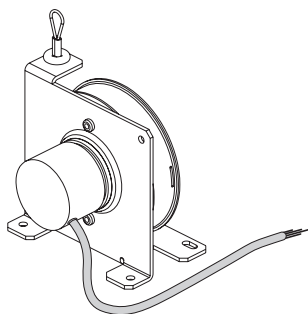
<select no cover or specify custom enclosure requirements>



no cover

custom enclosure:

Electrical Connection



without connector

with connector

- cable length:
- connector manufacturer's part no.:

version: 2.0 last updated: September 16, 2014