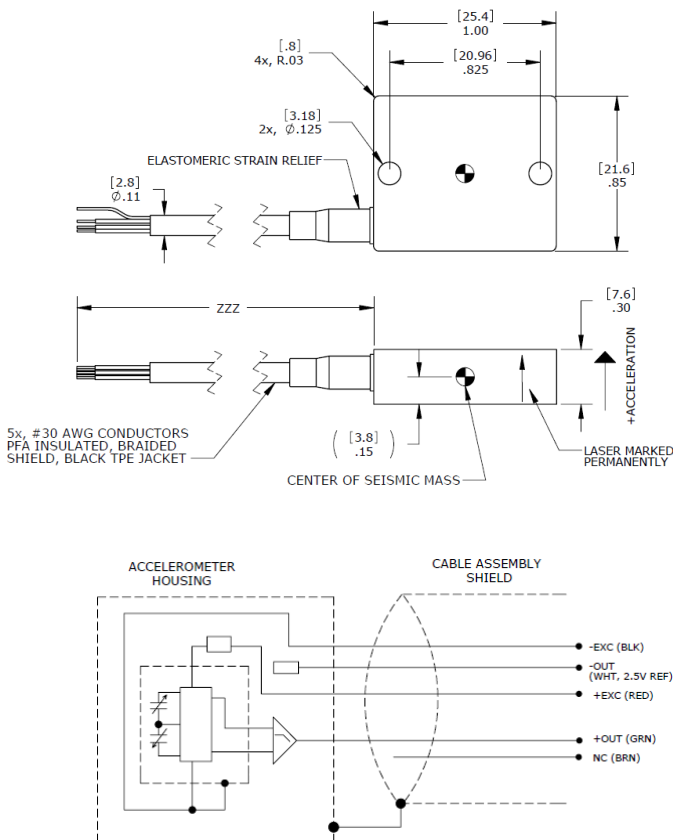


MODEL 4602 ACCELEROMETER



DIMENSIONS



SPECIFICATIONS

- Advanced Temp Compensation
- Gas Damped, DC Response
- Amplified, Signal Conditioned
- MEMS Accelerometer

The Model 4602 is designed for both static and dynamic measurements in critical and demanding applications. The accelerometers are available in ranges from ± 2 to $\pm 200g$ and offers outstanding thermal performance. The model 4602 is temperature compensated from -55°C to $+125^{\circ}\text{C}$. The accelerometers incorporate a gas damped MEMS sensing element with integral over-range stops for high-g shock protection.

FEATURES

- $\pm 2g$ to $\pm 200g$ Dynamic Range
- Amplified Output
- Low Power Consumption
- Gas Damping
- Integral Strain Relief
- DC, Low Frequency Response
- 8 to 36Vdc Excitation Voltage

APPLICATIONS

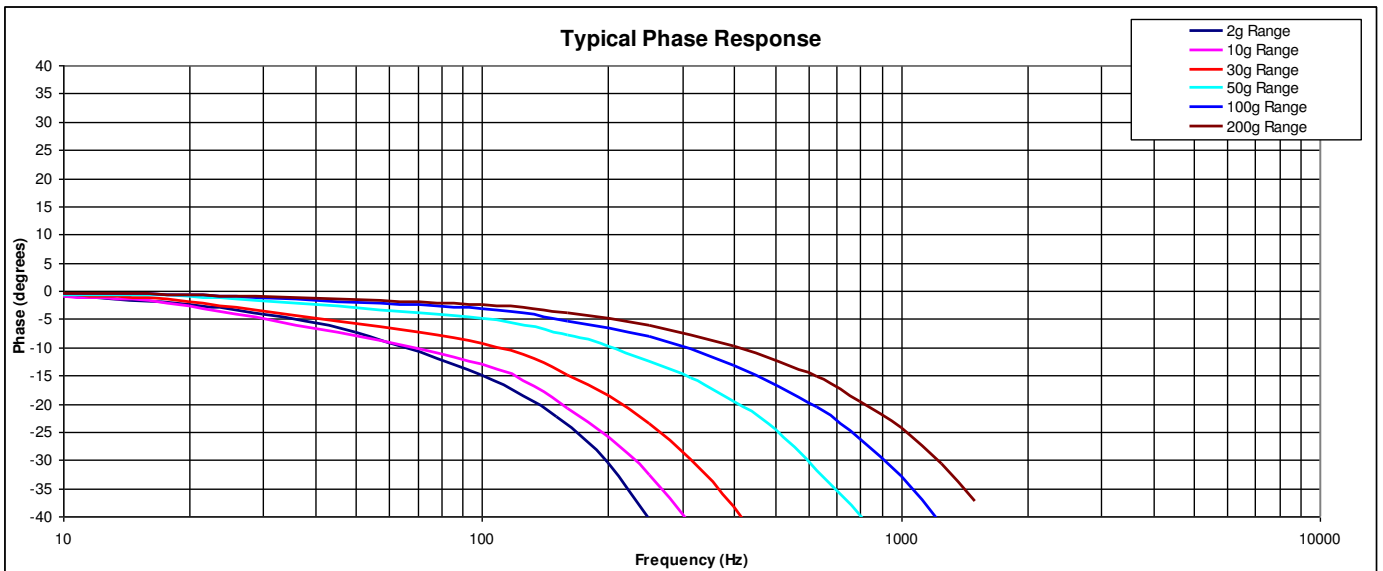
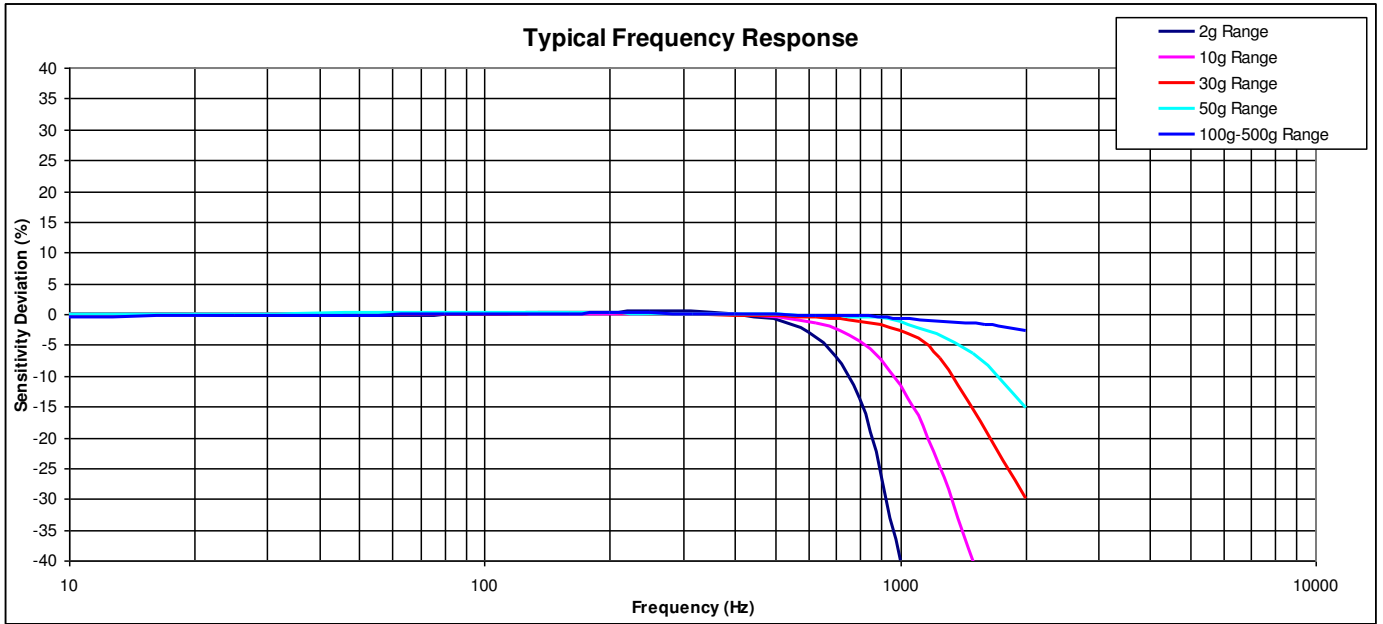
- Flight Testing
- Flutter and Nacelle Vibrations
- Structural Testing
- Test and Instrumentation
- Performance Testing
- Transportation

PERFORMANCE SPECIFICATIONS

All values are typical at +24°C, 80Hz and 12Vdc excitation unless otherwise stated. Measurement Specialties reserves the right to update and change these specifications without notice. Standard product parameters are described in PSC-1004 for Plug & Play DC Accelerometers.

Parameters								Notes
DYNAMIC								
Range (g)	±2	±5	±10	±30	±50	±100	±200	
Sensitivity (mV/g)	1000	400	200	67	40	20	10	
Frequency Response (Hz)	0-250	0-700	0-1000	0-1000	0-1000	0-1000	0-1000	±5% ¹
Non-Linearity (%FSO)	±0.5	±0.5	±0.5	±0.5	±0.5	±0.5	±0.5	
Transverse Sensitivity (%)	<2	<2	<2	<2	<2	<2	<2	<1 Typical
Damping Ratio	0.7	0.7	0.7	0.7	0.7	0.7	0.6	
Shock Limit (g)	2000	2000	5000	5000	5000	5000	5000	
Residual Noise (µV RMS)	600	750	800	800	800	800	800	Passband
Spectral Noise (µg/√Hz)	35	35	75	197	316	516	1033	Passband
ELECTRICAL								
Zero Acceleration Output (mV)	±50							Differential
Excitation Voltage (Vdc)	8 to 36							
Excitation Current (mA)	<5							
Bias Voltage (Vdc)	2.5							
Output Resistance (Ω)	<100							
Insulation Resistance (MΩ)	>100							@100Vdc
Turn On Time (msec)	<100							
Ground Isolation	Isolated from Mounting Surface							
ENVIRONMENTAL								
Thermal Zero Shift (%FSO/°C)	±0.008							Typical
Thermal Sensitivity Shift (%/°C)	±0.010							Typical
Operating Temperature (°C)	-55 to 125							
Compensated Temperature (°C)	-55 to 125							
Storage Temperature (°C)	-55 to 125							
Humidity	Epoxy Sealed, IP65							
PHYSICAL								
Case Material	Anodized Aluminum							
Cable	5x #30 AWG Conductors PFA Insulated, Braided Shield, TPE Jacket							
Weight (grams)	8							
Mounting	2x #4 or M3 Screws							
Mounting Torque	6 lb-in (0.7 N-m)							
Calibration supplied:	CS-FREQ-0100	NIST Traceable Amplitude Calibration from 20Hz to ±5% Frequency Response Limit ¹						
Supplied accessories:	AC-A02285	2x #4-40 (7/16 length) Socket Head Cap Screw and Washer						
Optional accessories:	AC-D02669 121	Triaxial Mounting Block Three Channel DC Differential Amplifier						

The information in this sheet has been carefully reviewed and is believed to be accurate; however, no responsibility is assumed for inaccuracies. Furthermore, this information does not convey to the purchaser of such devices any license under the patent rights to the manufacturer. Measurement Specialties, Inc. reserves the right to make changes without further notice to any product herein. Measurement Specialties, Inc. makes no warranty, representation or guarantee regarding the suitability of its product for any particular purpose, nor does Measurement Specialties, Inc. assume any liability arising out of the application or use of any product or circuit and specifically disclaims any and all liability, including without limitation consequential or incidental damages. Typical parameters can and do vary in different applications. All operating parameters must be validated for each customer application by customer's technical experts. Measurement Specialties, Inc. does not convey any license under its patent rights nor the rights of others.



ORDERING INFORMATION

PART NUMBERING Model Number+Range+Cable Length

4602-GGG-ZZZ-C-XX

 | | Cable (060 is 60 inches)
 | | Range (010 is 10g)

Optional Dash Numbers

-01 4-pole LP filter option
-02 8-pole LP filter option

Example: 4602-010-060-C

 Model 4602, 10g, 060" (5ft) Cable

NORTH AMERICA

Measurement Specialties, Inc.,
a TE Connectivity Company
1000 Lucas Way
Hampton, VA 23666
Sales and Customer Service
Tel: +1-800-745-8008 or
+1-757-766-1500
Fax: +1-757-766-4297
t&m@meas-spec.com

EUROPE

MEAS France SAS
a TE Connectivity Company
26 Rue des Dames
F78340 Les Clayes-sous-Bois
France
Sales and Customer Service
Tel: +33 (0) 1 79 33 00
Fax: +33(0)1 34 81 03 59
t&m@meas-spec.com

ASIA

Measurement Specialties (China), Ltd.,
a TE Connectivity Company
No. 26 Langshan Road
Shenzhen High-Tech Park (North)
Nanshan District, Shenzhen 518057
China
Sales and Customer Service
Tel: +86 755 3330 5088
Fax: +86 755 3330 5099
t&m@meas-spec.com

TE.com/sensorsolutions

Measurement Specialties, Inc., a TE Connectivity company.

Measurement Specialties, TE Connectivity, TE Connectivity (logo) and EVERY CONNECTION COUNTS are trademarks. All other logos, products and/or company names referred to herein might be trademarks of their respective owners.

The information given herein, including drawings, illustrations and schematics which are intended for illustration purposes only, is believed to be reliable. However, TE Connectivity makes no warranties as to its accuracy or completeness and disclaims any liability in connection with its use. TE Connectivity's obligations shall only be as set forth in TE Connectivity's Standard Terms and Conditions of Sale for this product and in no case will TE Connectivity be liable for any incidental, indirect or consequential damages arising out of the sale, resale, use or misuse of the product. Users of TE Connectivity products should make their own evaluation to determine the suitability of each such product for the specific application.

© 2015 TE Connectivity Ltd. family of companies All Rights Reserved.