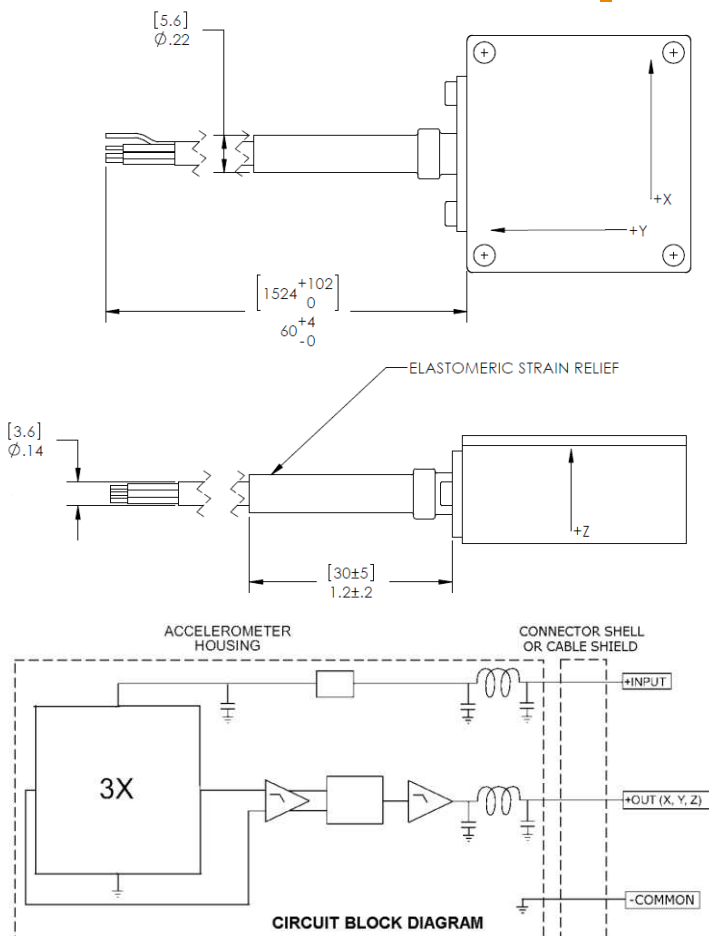


MODEL 4203 ACCELEROMETER



DIMENSIONS



SPECIFICATIONS

- Triaxial Motorsport Accelerometer
- Critically Gas Damped
- Temperature Compensation
- EMI/RFI Protection
- Custom 8-Pole LP Filters

The Model 4203 is a triaxial motorsport accelerometer designed for harsh installations. The rugged, gas damped accelerometer is ideally tailored for motorsport applications and road vehicle testing. The model 4203 features an 8-pole low-pass filter to ensure no high frequency engine noise will leak into the passband. A heavy-duty shielded cable and an EMI/RFI module protects the accelerometer from the harsh operating environment. Available in ranges from $\pm 6g$ to $\pm 50g$, the model 4203 will provide reliable measurements from -40°C to $+125^{\circ}\text{C}$.

FEATURES

- 8-16 Vdc Excitation
- Ranges up to ± 50 g's full scale
- Measures static & dynamic acceleration
- Over shock protection to $\pm 5,000$ g's
- Operating range from -40 to $+125^{\circ}\text{C}$
- Built-in 8-pole low-pass filter
- EMI/RFI protection

APPLICATIONS

- Motorsport Racing
- Engine Testing
- Road Vehicle Testing
- Formula One
- Indy Racing League

PERFORMANCE SPECIFICATIONS

All values are typical at +24°C, 80Hz and 12Vdc excitation unless otherwise stated. Measurement Specialties reserves the right to update and change these specifications without notice.

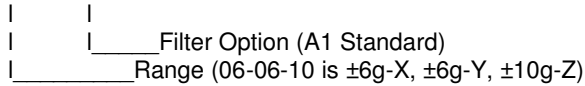
Parameters							Notes
DYNAMIC							
Range (g)	±6	±7.5	±10	±20	±30	±50	
Sensitivity (mV/g)	333	267	200	100	67	40	±10%
-3dB Cutoff Frequency (Hz)	100 ±15	100 ±15	100 ±15	100 ±15	100 ±15	100 ±15	See alternate options below
Rolloff Above Cutoff Frequency (dB/dec)	-160	-160	-160	-160	-160	-160	
Non-Linearity (%FSO)	±1.0	±1.0	±1.0	±1.0	±1.0	±1.0	
Transverse Sensitivity (%)	<3	<3	<3	<3	<3	<3	<1.5% Option
Damping Ratio	0.7	0.7	0.7	0.7	0.7	0.7	
Shock Limit (g)	5000	5000	5000	5000	5000	5000	
Resolution (mg RMS)	0.5	0.5	0.5	1.0	1.0	3.0	Passband
ELECTRICAL							
Zero Acceleration Output (V)	2.50 ±0.10						Single-ended
Excitation Voltage (Vdc)	8 to 16						
Excitation Current (mA)	<30						
Full Scale Output Voltage Swing (Vdc)	0.5 to 4.5						
Output Resistance (Ω)	<100						
Insulation Resistance (MΩ)	>100						@100Vdc
Turn On Time (msec)	<100						
Ground Isolation	Isolated from Mounting Surface						
ENVIRONMENTAL							
Thermal Zero Shift (%FSO/°C)	±0.012						
Thermal Sensitivity Shift (%/°C)	±0.020						
Operating Temperature (°C)	-40 to +125						
Storage Temperature (°C)	-40 to +125						
Humidity	Epoxy Encapsulated, IP65						
PHYSICAL							
Case Material	Anodized Aluminum						
Cable	5x #24 AWG Conductors, ETFE Insulated, Braided Shield, Crosslinked ETFE Jacket						
Weight (grams)	60 (cable not included)						
Mounting	4x #4 or M3 Screws						
Mounting Torque	6 lb-in (0.7 N-m)						
Calibration supplied:	CS-LFREQ-0010 NIST Traceable Amplitude Calibration from 1Hz to 100Hz						
Optional accessories:	121 3-Channel Precision Low Noise DC Amplifier						

The information in this sheet has been carefully reviewed and is believed to be accurate; however, no responsibility is assumed for inaccuracies. Furthermore, this information does not convey to the purchaser of such devices any license under the patent rights to the manufacturer. Measurement Specialties, Inc. reserves the right to make changes without further notice to any product herein. Measurement Specialties, Inc. makes no warranty, representation or guarantee regarding the suitability of its product for any particular purpose, nor does Measurement Specialties, Inc. assume any liability arising out of the application or use of any product or circuit and specifically disclaims any and all liability, including without limitation consequential or incidental damages. Typical parameters can and do vary in different applications. All operating parameters must be validated for each customer application by customer's technical experts. Measurement Specialties, Inc. does not convey any license under its patent rights nor the rights of others.

ORDERING INFORMATION

PART NUMBERING Model Number+Range+Filter Option

4203-XX-YY-ZZ-WW-C



Dash Number	Filter Cutoff Frequency
-A1	60 Hz
-A2	40 Hz
-A4	47 Hz
-A5	80 Hz
-A6	50 Hz
-A7	100 Hz

Example: 4203-06-06-10-A1-C
Model 4203, 6g X-axis, 6g Y-axis, 10g Z-axis, 60Hz Low-pass Filter

NORTH AMERICA

Measurement Specialties, Inc.,
a TE Connectivity Company
1000 Lucas Way
Hampton, VA 23666
Sales and Customer Service
Tel: +1-800-745-8008 or
+1-757-766-1500
Fax: +1-757-766-4297
t&m@meas-spec.com

EUROPE

MEAS France SAS
a TE Connectivity Company
26 Rue des Dames
F78340 Les Clayes-sous-Bois
France
Sales and Customer Service
Tel: +33 (0) 1 79 33 00
Fax: +33(0)1 34 81 03 59
t&m@meas-spec.com

ASIA

Measurement Specialties (China), Ltd.,
a TE Connectivity Company
No. 26 Langshan Road
Shenzhen High-Tech Park (North)
Nanshan District, Shenzhen 518057
China
Sales and Customer Service
Tel: +86 755 3330 5088
Fax: +86 755 3330 5099
t&m@meas-spec.com

TE.com/sensorsolutions

Measurement Specialties, Inc., a TE Connectivity company.

Measurement Specialties, TE Connectivity, TE Connectivity (logo) and EVERY CONNECTION COUNTS are trademarks. All other logos, products and/or company names referred to herein might be trademarks of their respective owners.

The information given herein, including drawings, illustrations and schematics which are intended for illustration purposes only, is believed to be reliable. However, TE Connectivity makes no warranties as to its accuracy or completeness and disclaims any liability in connection with its use. TE Connectivity's obligations shall only be as set forth in TE Connectivity's Standard Terms and Conditions of Sale for this product and in no case will TE Connectivity be liable for any incidental, indirect or consequential damages arising out of the sale, resale, use or misuse of the product. Users of TE Connectivity products should make their own evaluation to determine the suitability of each such product for the specific application.

© 2015 TE Connectivity Ltd. family of companies All Rights Reserved.