

MODEL 13200C & 23200C ACCELEROMETER

SPECIFICATIONS

- DC Response, Capacitive Silicon MEMS
- Uniaxial (13200C) and Biaxial (23200C) Options
- $\pm 10g$ to $\pm 70g$ Dynamic Ranges
- Superior Zero g Bias Stability
- High Accuracy & Linearity

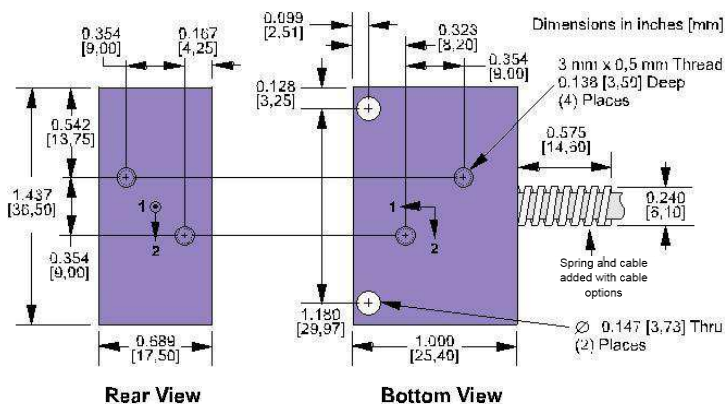
The Measurement Specialties 13200C and 23200C accelerometers include a temperature sensor in their small, rugged package. The small size and built-in power regulation allow the 13200C and 23200C to fit where other accelerometers can't. Choose the bandwidth and range options best suited for your application to measure $\pm 10g$, $\pm 15g$, $\pm 20g$, $\pm 25g$, $\pm 30g$, $\pm 35g$, $\pm 40g$, $\pm 50g$, or $\pm 70g$ accelerations on one or two axes

Tested over the -40 to $+85^\circ\text{C}$ temperature range, the accelerometers have a nominal full scale output swing of $\pm 2V$ with a zero g output level nominally at $+2.5V_{dc}$.

The voltage output for the 13200C and 23200C is directly proportional to the acceleration along the axis. Each DC-coupled output is fully scaled, referenced, and temperature compensated.

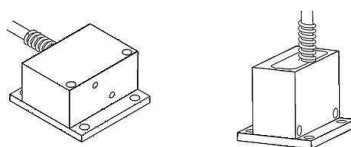
Unregulated DC power from $+8.5$ to $+36$ Volts is all that is required to measure acceleration and temperature. Reverse power voltages of up to $-80V$ can be withstood indefinitely. Transients of $+80V$ for $550ms$ compatible with MIL-STD-704A can be withstood with full operation.

dimensions



Two through holes and four 3 mm x 0.5 mm threaded holes are provided for mounting.

Mounting adapters
(Sold separately)



FEATURES

- 8.5-36Vdc Excitation Voltage
- Rugged, Compact Package
- Precise Temperature Compensation
- Capacitive Silicon MEMS Element
- 9-Pin Connector Interface
- Self-Test Enabled

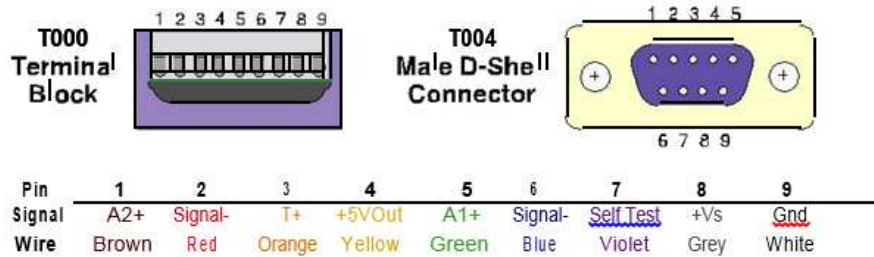
SPECIFICATIONS FOR 13200C AND 23200C- *improved specifications available upon request*

T_a = T_{min} to T_{max}; 8.5 ≤ V_s ≤ 36 V; Acceleration = 0 g unless otherwise noted; within one year of calibration.

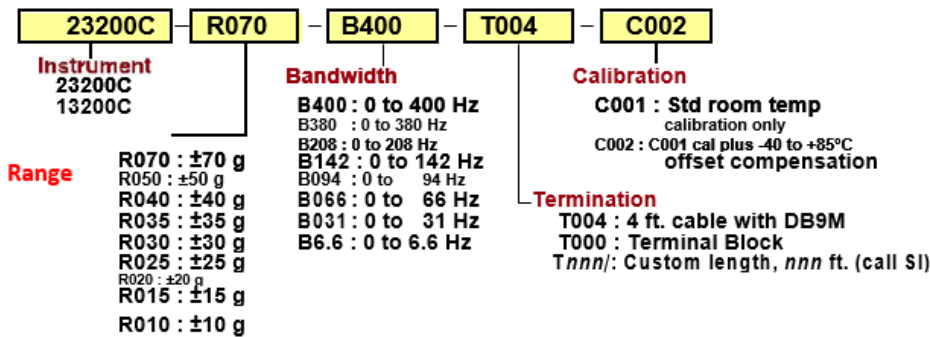
Parameter	Min	Typical	Max	Units	Conditions/Notes
Range					
Measurement Full Scale	±10		±70	g	On each axis. Must specify via Option Rnnn
Sensitivity					
At 25°C, Option R050		40 [†]		mV/g	Precise values on cal certificate
Drift T _{min} to T _{max}		±0.5		%	Percent of sensitivity at 25°C
Zero g Bias Level					
At 25°C		2.50 ±0.010		V	Precise values on cal certificate
Drift T _{min} to T _{max} , Option C001		1		g	At 1.25°C/min. temperature rate of change
Drift T _{min} to T _{max} , Option C002		60		mg	At 1.25°C/min. temperature rate of change
Alignment					
Deviation from Ideal Axes		±1.0	±3.0	degrees	Precise values on cal certificate Can be compensated if required
Transverse Sensitivity					
		±0.25		%	Inherent sensor error, excluding misalignment
Nonlinearity					
		0.2	2	% FSR	Best fit straight line
Frequency Response					
	0		400	Hz	Upper cutoff per Option Bnnn, -3dB pt ±10% 10 Hz to 400 Hz
Noise Density					
Option R070		1.8	3.5	mg/√Hz	
Option R050, R040		1.4	3.0	mg/√Hz	
Option R035, R030, R025, R020, R015, R010		1.1	3.0	mg/√Hz	
Self-Test Input Impedance					
	10			kΩ	Pullup. Logic "1" ≥ 3.5 V, Logic "0" ≤ 1.5 V
Temperature Sensor					
Sensitivity		6.45		mV/°C	Accuracy ±1°C
0°C Bias Level		509		mV	
Outputs					
Output Voltage Swing	0.50		4.50	V	I _{out} = ±0.5 mA
Capacitive Drive Capability		1000		pF	
Power Supply (V_s)					
Input Voltage Limits	-80		+80	V	-80 V continuous, >38 V if ≤550 ms, duty <1%
Input Voltage - Operating	+8.5		+36	V	Continuous
Input Current		12		mA	
Rejection Ratio		>120		dB	DC
Temperature Range (T_a)					
	-40		+85	°C	
Mass					
		35		grams	Precise values on cal certificate
Shock Survival					
	-4000		+4000	g	Any axis for 0.5 ms, powered or unpowered

[†] Scale linearly with range option Rnnn; see Ordering Information

CONNECTIONS



ORDERING INFORMATION



NORTH AMERICA

Measurement Specialties, Inc.,
a TE Connectivity Company
2236 N. Cleveland-Massillon Road
Akron, OH 44333
USA
Tel: +1-330-659-3312
Sales: pvg.cs.amer@meas-spec.com

EUROPE

MEAS France SAS
a TE Connectivity Company
26 Rue des Dames
F78340 Les Clayes-sous-Bois
France
Tel: +33 (0) 130 79 33 00
Fax: +33(0) 134 81 03 59
Sales: pfg.cs.emea@meas-spec.com

ASIA

Measurement Specialties (China), Ltd.,
a TE Connectivity Company
No. 26 Langshan Road
Shenzhen High-Tech Park (North)
Nanshan District, Shenzhen 518057
China
Tel: +86 755 3330 5088
Fax: +86 755 3330 5099
Sales: pfg.cs.asia@meas-spec.com

TE.com/sensorsolutions

Measurement Specialties, Inc., a TE Connectivity company.

Measurement Specialties, TE Connectivity, TE Connectivity (logo) and EVERY CONNECTION COUNTS are trademarks. All other logos, products and/or company names referred to herein might be trademarks of their respective owners.

The information given herein, including drawings, illustrations and schematics which are intended for illustration purposes only, is believed to be reliable. However, TE Connectivity makes no warranties as to its accuracy or completeness and disclaims any liability in connection with its use. TE Connectivity's obligations shall only be as set forth in TE Connectivity's Standard Terms and Conditions of Sale for this product and in no case will TE Connectivity be liable for any incidental, indirect or consequential damages arising out of the sale, resale, use or misuse of the product. Users of TE Connectivity products should make their own evaluation to determine the suitability of each such product for the specific application.

© 2015 TE Connectivity Ltd. family of companies All Rights Reserved.