



0729-1760-99

Dual Axis Inclinometer RS485



Description

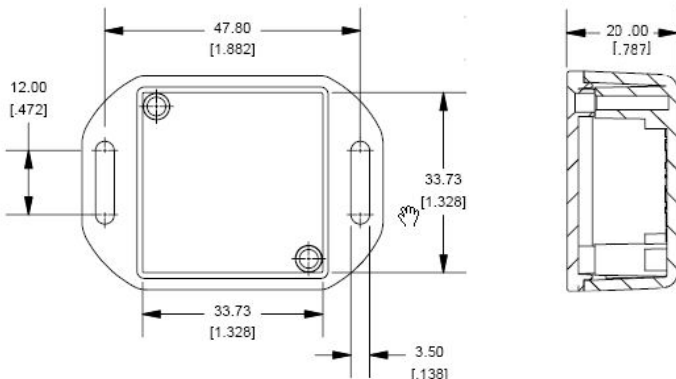
The dual axis inclinometer in a compact, high-impact plastic housing offers microprocessor based electronics with RS485 output for easy use and interface with instrumentation and equipment. Assembly includes the Fredericks dual axis *TrueTilt* 0717-4318-99 sensor which provides long term repeatability and environmental durability in the most demanding applications.

- Angle range +/-60° (X & Y axis)
- Resolution .003 degrees
- Repeatability +/-0.1 Degrees
- Outputs (X& Y Axis) RS485
- Power Supply Voltage 7 to 16 VDC

Operating Specifications

Output	RS485
Angle Range	* +/-60° (X&Y axis)
Resolution (.003 degrees)	0.2 Arc Minutes
Repeatability	+/- 0.1 degrees
Power supply voltage	7 to 16 VDC (regulated)
Power supply current	20mA @ 7VDC
Operating & storage temperature range	-40°C to + 70°C*
Symmetry (typ.)	5%
Null Offset	5.0°
Mech. Crosstalk / Deg. (to 20°)	0.025°
Temperature Coefficient	
Null	20 arc sec / °C
Scale	0.1% / °C
Stability @ 24 hrs	0.1°
* Limited by housing	

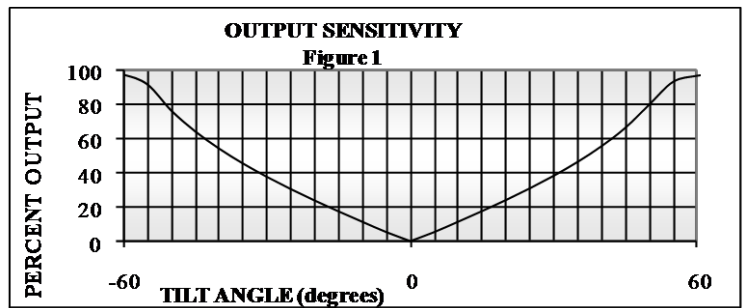
Physical Dimensions



Applications Include

- Solar Tracking
- Aerial Lift Platforms
- Construction machines
- Alarm System Activation
- Medical positioning and monitoring
- Machine tool leveling

Sensor Output Sensitivity Chart



Circuit Board Specifications

Wire color	Signal name	Direction	Description
RED	Vcc	Input	Supply voltage input: +7 to + 16 vdc
BLK	GND	-	Ground – The reference for the digital signals and the supply voltage
YEL	Gnd		
GRN	B	Input/Output	RS485 -B
BLU	A	Input/Output	RS485 -A

Note: refer to 1-6200-008 spec sheet & manual for more information

Note: Installed sensor is 0717-4318-99, other sensor can be utilized per customer request.



Distribuidor

Brasil e América do Sul

CONTATO

Endereço

Rua Sete de Setembro, 2671 - Centro
13560-181 - São Carlos - SP - Brasil

Telefone

+ 55 (16) 3371-0112
+ 55 (16) 3372-7800

Internet

www.metrolog.net
metrolog@metrolog.net



The Fredericks Company
2400 Philmont Avenue Huntingdon Valley, Pennsylvania 19006-0067

www.metrolog.net / metrolog@metrolog.net

Phone: (215) 947-2500
Fax: (215) 947-7464
Web: www.frederickscom.com
sensors@frederickscom.com