

P900 Series

Premium Performance Strain Gauge

Schaevitz® P900 Series Strain Gauge Pressure Transducers are premium grade sensors that provide highly precise measurement of absolute, vented gauge, or sealed gauge pressures over wide temperature ranges.

Standard versions of this transducer use a 17-4 pH stainless steel diaphragm to sense pressure (Inconel versions are available for operation in highly corrosive environments). The deflection of the diaphragm is transferred to a double cantilever beam by a force transfer rod. Strain in the beam, and therefore, input pressure is measured by four foil strain gauges.

An all-welded construction provides high reliability and stability. Capable of sensing extremely small changes of applied pressure, the transducers are relatively insensitive to vibration, attitude, and shock.

The P900 Series Pressure Sensors are available in a range of electrical inputs and outputs. Zero and span potentiometers are available as a special option with the P940, P950, P960, and P990 models. Non-standard pressure ranges are available in all models of the P900 Series.



Features

- High overload capability**
- Operation in high temperatures**
- Shock and vibration resistant**
- 2-wire, 4-20 mA option: Intrinsic safety approval to E Exia IIC T4 ($T_{amb}=60^{\circ}C$) BASEEFA, CENELEC EN50-020**

Applications

- Hydraulic pressure monitoring**
- Torpedo depth sensing**
- Vehicle brake system monitoring**
- Military and commercial aircraft**

Specifications by Model All specifications are at 77° F (25°C) unless otherwise noted

Series	P900	P940	P950	P960	P980	P990
Model Number	P901/904	P941/4	P951/4	P961/4	P981/4	P991/4
Input Voltage	10 VDC (12 V max)	10 VDC	11-18 VDC	18-32 VDC	10-36 VDC	±15 VDC
Current (mA)	13	20	20	20	–	20
Output at 25°C (F.R.O.)	900	940	950	960	980	990
Full Range Output (±1%)	20 mV	5 VDC	2.5 VDC	5 VDC	4-20 mA	5 VDC
Impedance (ohms)	1000 ±5%	<10	<10	<10	Load resist. 1300 max. at 36 VDC	<10
Current (mA max)	–	5	5	5	–	5
Frequency Response	Approx. 2.5 kHz to 40 kHz for .7 bar	1 kHz	1 kHz	1 kHz	100 Hz	1 kHz
Combined Thermal Zero & Sensitivity Shift						
% F.R.O./°F	±0.008	±0.008	±0.008	±0.008	±0.008	±0.008
% F.R.O./°C	±0.015	±0.015	±0.015	±0.015	±0.015	±0.015
Residual Unbalance						
% F.R.O.	±1	±1	±1	±1	±1	±1
Weight (gm)						
Connector Version	4.4 (125)	5.1 (145)	5.1 (145)	5.1 (145)	5.1 (145)	5.1 (145)
Cable Version	5.6 (160)	6.3 (180)	6.3 (180)	6.3 (180)	6.3 (180)	6.3 (180)

Select P900 models, when correctly installed, are CE certified to comply with the EMC Directive 89/336/EEC Generic Standards for Residential, Commercial, Light Industrial and Industrial Environments.



P900 Series Foil Strain Gauge
Pressure Ranges: 0-0.7 to 0-700 bar
(0-10 to 0-10,000 psi)
Accuracy: $\leq \pm 0.10\%$ F.R.O.

Common Specifications

Pressure Ranges

High (psi) 0-75; 100; 150; 200; 250; 350; 500; 750; 1000; 1500; 2200; 3500; 5000; 7500; 10,000
(bar) 0-5; 7; 10; 15; 25; 35; 50; 70; 100; 150; 200; 250; 350; 500; 700;
Medium (psi) 0-10; 15; 20; 25; 35
(bar) 0-0.7; 1.0; 1.5; 1.7; 2.5

Pressure References

High Pressure Range Vented gauge¹: 0-75 to 0-350 psi
Absolute and sealed gauge: 0-75 to 0-10,000 psi
Medium Pressure Range .. Vented gauge¹ and absolute: 0-10; 15; 20; 25; 35 psi (0-0.7; 1.0; 1.5; 1.7; 2.5 bar)

Pressure Limit $\geq 5x$ full range pressure or 12,000 psi (830 bar), whichever is less. Will not cause a zero offset exceeding 0.04% FRO (recoverable within a few hours)

Burst Pressure $\geq 20x$ full range pressure or 22,000 psi (1,520 bar), whichever is less

Pressure Media Liquids or gases compatible with 17-4 pH and 17-7 pH stainless steel or Inconel 625

Shunt Calibration 80% $\pm 5\%$ full range pressure (not fitted in P980 Series)

Combined Nonlinearity, Hysteresis

and Nonrepeatability High Range: $< \pm 0.10\%$ F.R.O. (BSL); Medium Range: $< \pm 0.20\%$ F.R.O. (BSL)

Temperature Range

Operable -65°F to 250°F (-54°C to 120°C)

Compensated 32°F to 212°F (0°C to 100°C)

Storage -65°F to 300°F (-54°C to 150°C)

Humidity

Connector Version 95% Relative humidity

Cable Version Immersible to IP67 (fluid must not enter the ends of the cable)

Acceleration Response Above 500 psi (35 bar) $\pm 0.02\%$ F.R.O./g; below 500 psi (35 bar) $\pm 0.10\%$ F.R.O./g

Vibration Surpasses MIL STD810C Method 514-2 Curve L and EUROCAE ED 14A/RTCA 160A

Shock 1000 g for 5 msec will not damage the sensor

EMC The P940, P950, P960 and P980 and P990 Series are CE marked, and when correctly installed comply with the EMC Directive 89/336/EEC Generic Standards for Residential Commercial, Light Industrial and Industrial environments. Note: The P980 Series when used in Intrinsic Safety applications does not comply with the Industrial environment directive.

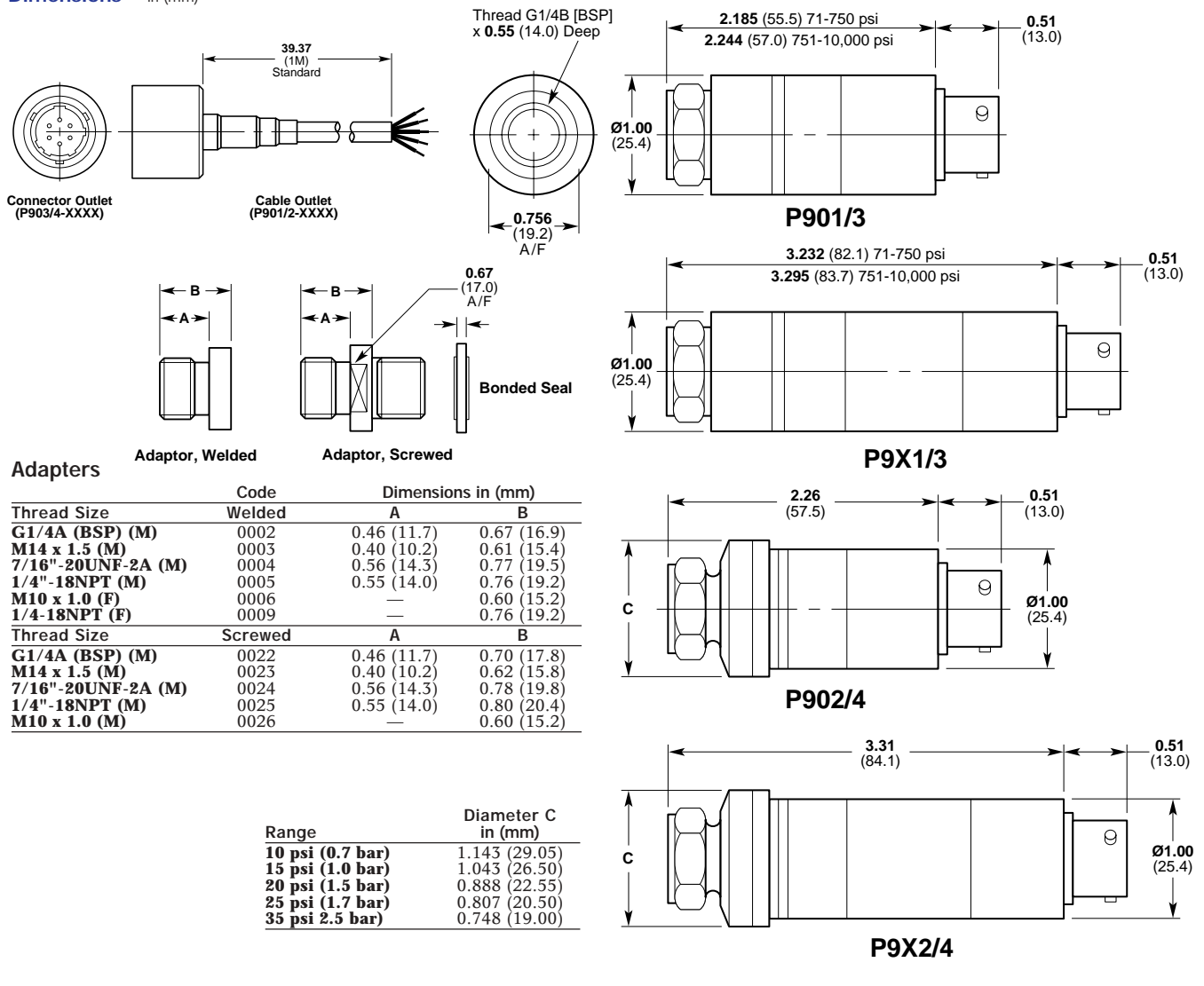
Insulation Resistance 500 Mohm at 50 VDC at 25°C

¹ Vented gauge units must only be used in dry, noncorrosive environments and will breathe through the cable vent tube or hole in the 6-way receptacle.

P900 Series

Premium Performance Strain Gauge

Dimensions in (mm)



Connections

Cable	Connector ²
Red¹	Pin A ¹ Excitation (+)
White	Pin D Excitation (-) ⁴
Yellow	Pin B Output (+)
Blue^{1,3}	Pin C ^{1,3} Output (-) ⁴
Violet	Pin E } 80% shunt calibration ⁵
Grey	Pin F }

Note: Screen is connected to the case for CE marked units.
Screen is **not** connected to the case for optional IS units (P980).
IS certification revokes CE certification.

¹ 2-wire transmitter connections

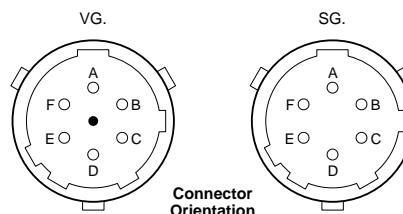
² Vented gauge units must breathe through the receptacle (mating connector must have a vent hole)

³ 0 Volt P990 series

⁴ Connected internally for P940, P950, P960 Series (3-wire)

⁵ Shunt calibration not fitted to P980 Series

Connector Orientation

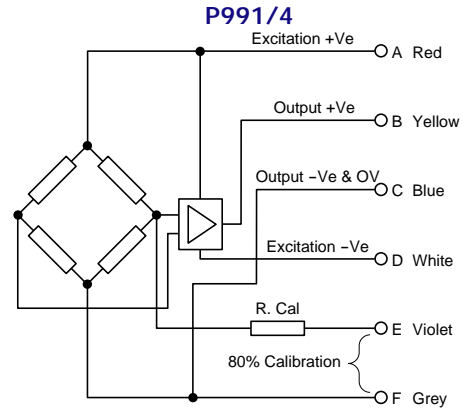
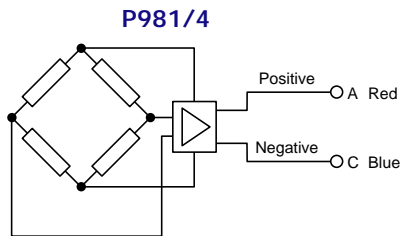
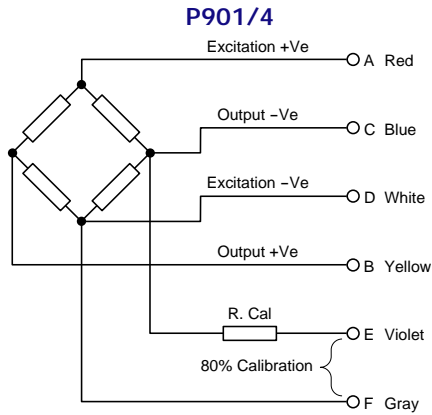


Select P900 models, when correctly installed, are CE certified to comply with the EMC Directive 89/336/EEC Generic Standards for Residential, Commercial, Light Industrial and Industrial Environments.

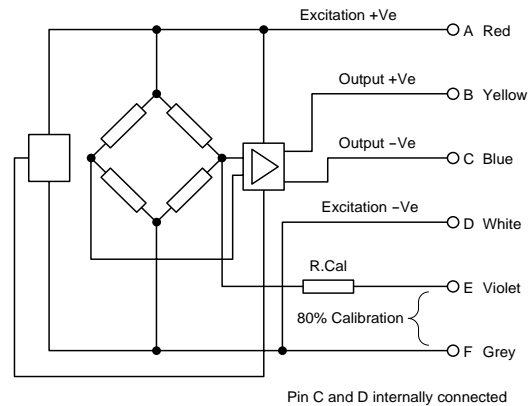


P900 Series Foil Strain Gauge
 Pressure Ranges: 0-0.7 to 0-700 bar
 (0-10 to 0-10,000 psi)
 Accuracy: $\pm 0.10\%$ F.R.O.

Wiring



P941/4, P951/4 and P961/4



How to Order

Specify by transducer excitation, electrical interface, pressure port, pressure range, units, and pressure reference. Example: P961-0005-10 bar A signifies a pressure transducer with 0 to 5 VDC output operating from 18-32V, cable outlet and 1/4 inch-18 NPT male pressure port, ranged 0 to 10 bar, with an absolute pressure reference.

Model Number Code P9

Input/Output
 0 – 20 mV output
 4 – 5 V output (10 V supply)
 5 – 2.5 V output (11-18 V supply)
 6 – 5 V output (18-32 V supply)
 8 – 4-20 mA output (10-36 V supply)
 9 – 5 V output (± 15 V supply)

Intrinsic Safety
 0 – Non IS
 9 – IS (P980 only)

Adaptor
 0 – Welded
 2 – Screw in

Unit
 B: bar
 P: psi

Pressure Reference
 A: absolute
 SG: sealed gauge
 VG: vented gauge

Cable/Connector
 (Please reference to selected pressure range)
 1 – High Range – cable outlet
 2 – Medium Range – cable outlet
 3 – High Range – connector outlet
 4 – Medium Range – connector outlet

Corrosion resistant pressure transducers are available with wetted parts manufactured from Inconel 625 – consult factory for specifications.

Pressure Port
 1 – 1/4 in BSP female
 2 – 1/4 in BSP male
 3 – M14 x 1.5 male
 4 – 7/16 in 20 UNF 2A male
 5 – 1/4 in 18 NPT male (taper)
 6 – 10 x 1 mm Arsero Ermeto female
 9 – 1/4 in 18 NPT female

Pressure Range
 (Enter full scale pressure range without units)
 High (psi) 0-75; 100; 150; 200; 250; 350; 500; 750; 1000; 1500; 2200; 3500; 5000; 7500; 10,000
 (bar) 0-5; 7; 10; 15; 25; 35; 50; 70; 150; 200; 250; 350; 500; 700
 Medium (psi) 0-10; 15; 20; 25; 35
 (bar) 0.7; 1.0; 1.5; 1.7; 2.5



CONTATO

Endereço

Rua Sete de Setembro, 2671 - Centro
13560-181 - São Carlos - SP - Brasil

Telefone

+ 55 (16) 3371-0112

Fax

+ 55 (16) 3372-7800

Internet

www.metrolog.net
metrolog@metrolog.net



Metrolog Controles de Medição