

MODEL 33 Low Pressure

performance specifications

Supply Current: 1.5 mA
Ambient Temperature: 25°C (Unless otherwise specified)

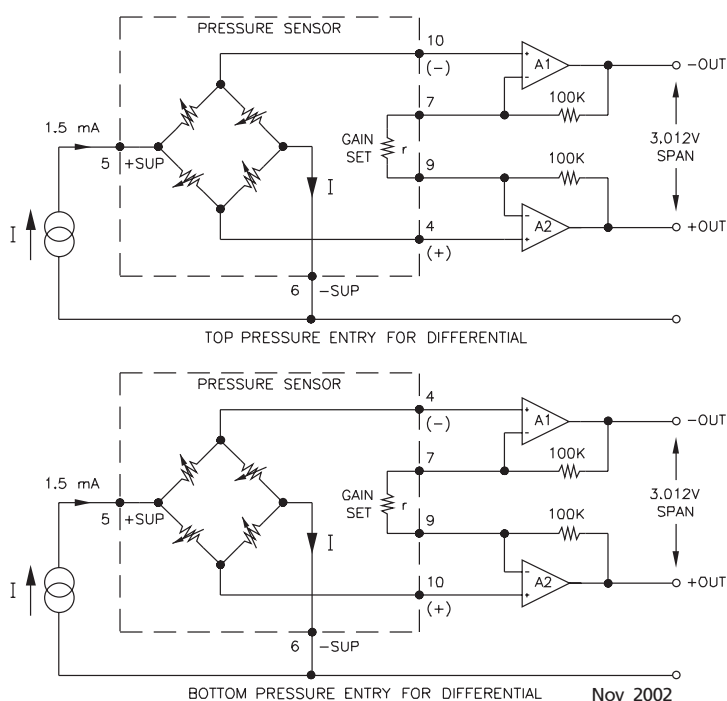
PRESSURE RANGE 0 -1 psi

PARAMETERS	MIN	TYP	MAX	UNITS	NOTES
Full Scale Output Span	65	100	150	mV	1
Zero Pressure Output			2	±mV	2
Pressure Non-linearity		0.2	0.3	±%Span	3
Pressure Hysteresis		0.01	0.05	±%Span	
Input & Output Resistance	2500	4400	6000	Ω	
Temperature Error - Span		0.5	1.0	±%Span	4
Temperature Error - Zero		0.5	1.0	±%Span	4
Thermal Hysteresis - Zero		0.1		±%Span	4
Supply Current		1.5	2.0	mA	
Response Time (10% to 90%)		1.0		mS	5
Output Noise		1.0		µV p-p	6
Output Load Resistance	2			MΩ	
Insulation Resistance (50 VDC)	50			MΩ	7
Long Term Stability		0.2		±%Span/yr	
Pressure Overload			10	psi	
Operating Temperature	-40°C to +125°C				
Storage Temperature	-50°C to +150°C				
Media	Non-Corrosive Gases Compatible with Wetted Materials				8
Weight	3 Grams				

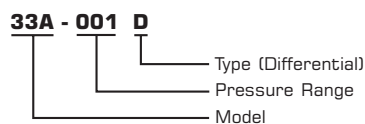
Notes

- Output span of unamplified sensor.
- For most models, compensation resistors are an integral part of the sensor package; no additional external resistors are required. Test pins must be kept open.
- Best Fit Straight Line.
- Temperature range: 0-50°C in reference to 25°C.
- For a zero-to-full scale pressure step change.
- 10 Hz to 1kHz.
- Between case and sensing element.
- Wetted materials are glass, ceramic, silicon, RTV, nickel, gold, and aluminum.

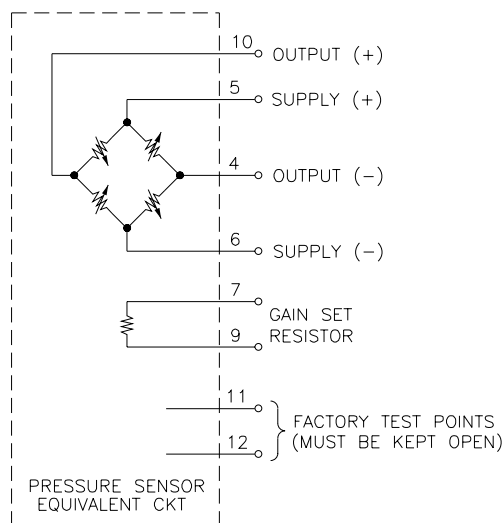
Application Schematic



Ordering Information



Connections



Distribuidor

Brasil e América do Sul

CONTATO

Endereço

Rua Sete de Setembro, 2671 - Centro
13560-181 - São Carlos - SP - Brasil

Telefone

+55 (16) 3371-0112

Fax

+55 (16) 3372-7800

Internet

www.metrolog.net
metrolog@metrolog.net



Metrolog Controles de Medição