

MODEL 13 Low Pressure

performance specifications

Supply Current: 1.5 mA

Ambient Temperature: 25°C (Unless otherwise specified)

PRESSURE RANGE 0 -1 psi

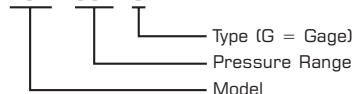
PARAMETERS	MIN	TYP	MAX	UNITS	NOTES
Full Scale Output Span	65	100	150	mV	1
Zero Pressure Output			2	±mV	2
Pressure Non-linearity		0.2	0.3	±%Span	3
Pressure Hysteresis		0.01	0.05	±%Span	
Input & Output Resistance	2500	4400	6000	Ω	
Temperature Error - Span		0.5	1.0	±%Span	4,5
Temperature Error - Zero		0.5	1.0	±%Span	4,5
Thermal Hysteresis - Zero		0.1		±%Span	4
Supply Current		1.5	2.0	mA	
Response Time (10% to 90%)		1.0		mS	5
Output Noise		1.0		µV p-p	6
Output Load Resistance	2			MΩ	
Insulation Resistance (50 VDC)	50			MΩ	7
Long Term Stability		0.2		±%Span/yr	
Pressure Overload			10	psi	
Operating Temperature	-40°C to +125°C				
Storage Temperature	-50°C to +150°C				
Media	Non-Corrosive Gases Compatible with Wetted Materials				
Weight	3 Grams				

Notes

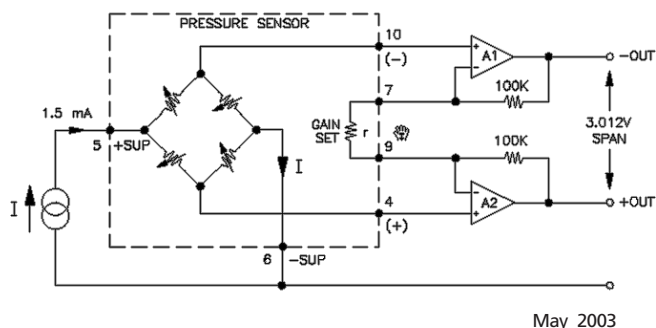
1. Output span of unamplified sensor.
2. For most models, compensation resistors are an integral part of the sensor package; no additional external resistors are required. Test pins must be kept open.
3. Best Fit Straight Line.
4. Temperature range: 0-50°C in reference to 25°C.
5. For a zero-to-full scale pressure step change.
6. 10 Hz to 1kHz.
7. Between case and sensing element.
8. Wetted materials are glass, ceramic, silicon, RTV, nickel, gold, and aluminum.

Ordering Information

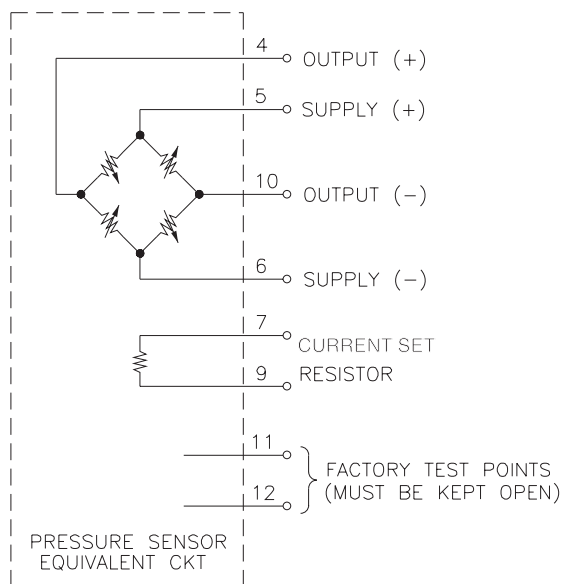
13A - 001 G



Application Schematic



Connections



measurement
SPECIALTIES

Distribuidor

Brasil e América do Sul

CONTATO

Endereço

Rua Sete de Setembro, 2671 - Centro
13560-181 - São Carlos - SP - Brasil

Telefone

+55 (16) 3371-0112

Fax

+55 (16) 3372-7800

Internet

www.metrolog.net
metrolog@metrolog.net

