

Model EGPE-1A Accelerometer

IEPE Accelerometer
+150°C Temperature Performance
Wide Bandwidth
Hermetically Sealed

Description

The Measurement Specialties model EGPE-1A is a high performance IEPE type accelerometer with an operating temperature range up to +150°C. The accelerometer is available in $\pm 10g$ to $\pm 500g$ ranges and provides a flat frequency response up to 12kHz. The model EGPE is hermetically sealed and features the popular through hole mount installation for use with standard mounting screws.



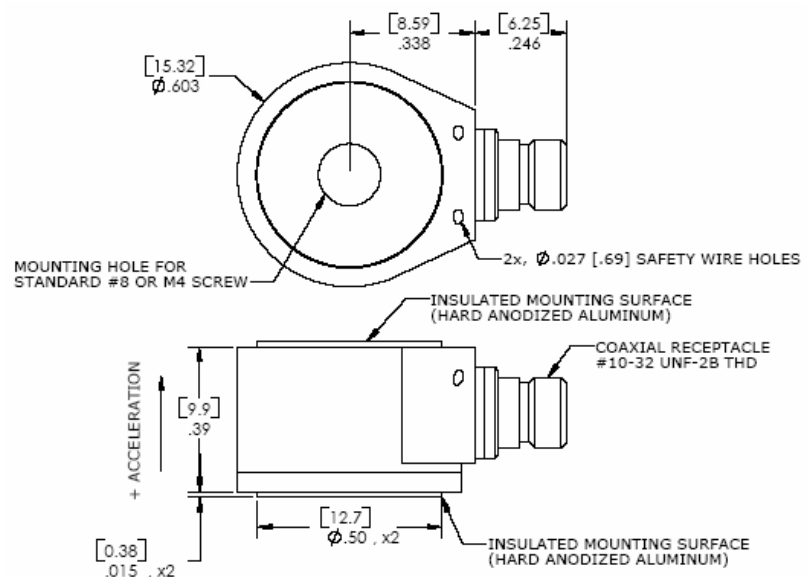
dimensions

FEATURES

- Through Hole Mount Accelerometer
- Accommodates Standard Mounting Screws
- Hermetically Sealed
- Ranges: $\pm 10g$ to $\pm 500g$
- Wide Bandwidth up to 12kHz
- Isolated Mounting Surface
- Stable Temperature Response
- Annular Shear Mode Crystal

APPLICATIONS

Vibration/Shock Monitoring
High Temp IEPE Requirements
Gearbox Vibration Monitoring
High Frequency Applications



Measurement Specialties, Inc.
1000 Lucas Way
Hampton, VA 23666 USA
Tel: +1-757-766-1500
Fax: +1-757-766-4297
www.meas-spec.com

Vibration Sensors Technical Support
Tel: +1-949-716-5377
Fax: +1-949-916-5677
Email: vibration@meas-spec.com

Model EGPE-1A Accelerometer

performance specifications

All values are typical at 24°C, 100Hz and 4mA excitation unless otherwise stated. Measurement Specialties reserves the right to update and change these specifications without notice.

Parameters

DYNAMIC

	±10	±50	±500	Units	Notes
Range	±10	±50	±500		
Sensitivity	500	100	10	mV/g	
Frequency Response	1-3000	1-10000	1-10000	Hz	±5%
Frequency Response	.1-6000	.1-12000	.1-12000	Hz	±1dB
Resonant Frequency	25	40	40	kHz	Minimum
Residual Noise	.030	.004	.002	g rms	Typical
Linearity			±1	% FSO	Maximum
Transverse Sensitivity (Max)			±5	%	±3% Typical

ELECTRICAL

Compliance Voltage	18 to 30	Vdc	
Excitation Current	2 to 20	mA	
Bias Voltage (room temp)	8 to 12	Vdc	
Bias Voltage (-54°C to +150°C)	6 to 13	Vdc	
Output Impedance	100	Ω	Maximum
Ground Isolation	Isolated		

PHYSICAL

Sensing Element	Ceramic (shear mode)
Housing	Stainless Steel
Weight	11 grams
Mounting	Through Hole (#8 or M4 cap screw)

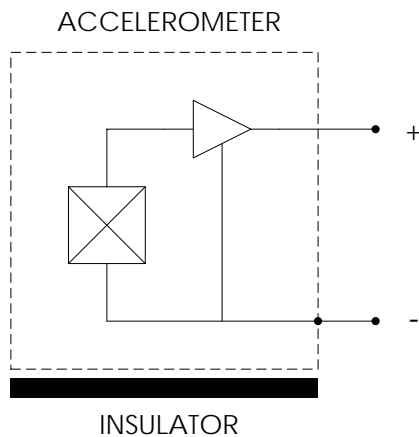
ENVIRONMENTAL

Shock Limit	5,000 g's
Operating Temperature	-54 to +150 °C
Humidity	Hermetically sealed

OPTIONAL ACCESSORIES

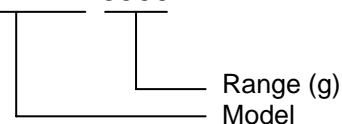
310-XXX	Cable Assembly (XXX designates length in inches, 10ft standard)
AC-D02327	Triax Mounting Block
AC-D02328	Adhesive Mounting Adaptor
AC-D02636	Magnetic Mounting Adaptor

electrical schematic



ordering information

EGPE-1A-0500



CONTATO

Endereço

Rua Sete de Setembro, 2671 - Centro
13560-181 - São Carlos - SP - Brasil

Telefone

+ 55 (16) 3371-0112

Fax

+ 55 (16) 3372-7800

Internet

www.metrolog.net
metrolog@metrolog.net



Metrolog Controles de Medição